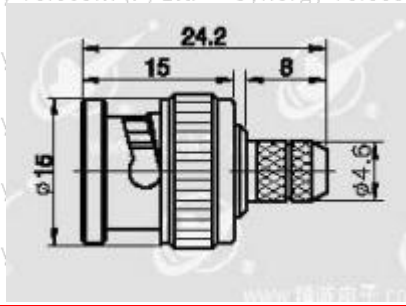


Synergy Telecom P Ltd.

BNC(M) LMR-200 CRIMP:-



Electrical Specification

Characteristic Impedance
Frequency Range

50 ohm
DC- 4 GHz

VSWR

<1.2

Contact Resistance

Inner Conductor : < 1.5 m Ω

Outer Conductor : < 1.0 m Ω

Dielectric withstanding Voltage

>2500V RMS, 50Hz, At sea Level

Dielectric Resistance

> 5000 M Ω

RoHS

Compliance

Mechanical

Durability Mating

cycle ≥500

Material Specification

Body

Material

Plating

Insulator

Brass

White Bronze

Teflon/PTFE

Center Conductor

Phosphor Copper

Gold(AU)

Ferrule

Annealed copper

Ni

Environmental

Temperature Range

-10°C – +55 °C

13-15 RPS flats, E-block, Vikaspuri, N Delhi-110018, India
Phone-91 11 28533349, Mobile-91 98101 38894, Fax -91 11 2853 1435,
E-mail : pradeep@rfconnectorhouse.com, Website : <http://www.rfconnector.info/>