

# Synergy Telecom P Ltd.

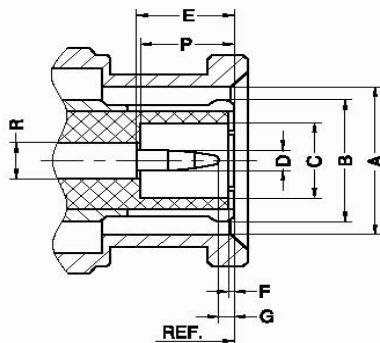
## BNC(M) RG-59 PLASTIC HOOD



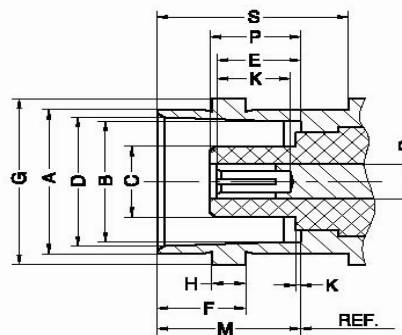
TYPE BNC is one kind of RF coaxial connectors using a bayonet type coupling mechanism characteristic impedance has two types:  $50\ \Omega$  and  $75\ \Omega$ . They can be quick connect/disconnect, reliable lock etc. they are widely used in connection with the RF coaxial cables in computer field network of wireless, medical equipment and electronic instrument.

## INTERFACE MATING DIMENSIONS (50 $\Omega$ )

Pin connector



Socket connector



## MAJOR TECHNICAL CHARACTERISTICS

Temperature Range	-55 ~ +155 °C (PE Cable -40 ~ +85 °C)	
Impedance	50 Ω, 75 Ω	
Frequency Range	DC ~ 4GHz	
Working Voltage	500V r.m.s	at sea level
Withstanding Voltage	1500V r.m.s	at sea level
Contact resistance		
Center Contact		≤ 1.5 mΩ
Outer Contact		≤ 1 mΩ
Insulation resistance		≥ 5000 MΩ
Center conductor retention force		≥ 0.57N
Insertion Loss		≤ 0.20dB/3GHz
Voltage Standing Wave Ratio		
	Straight	≤ 1.22/3GHz
	Right angle	≤ 1.30/3GHz
Durability(mating)		≥ 500次 ( cycles )

## MATERIAL & PLATING

body	brass	nickel plated
pin contact	brass	gold or silver plated
socket contact	beryllium-copper	gold or silver plated
resilient contact	Tin bronze	gold or silver plated
insulator	PTFE	
crimp ferrule	copper alloy	nickel plated
o-ring sealing	silicone rubber	