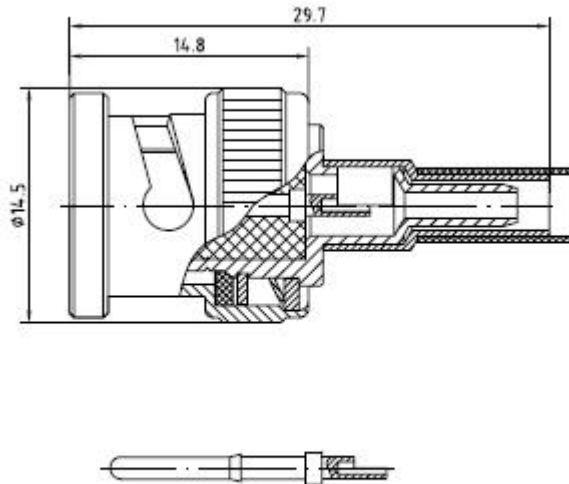




BNC Male Connector:-

- BNC Male For RG 179 Cable :-

CHARACTERISTICS	MATERIALS & FINISH
Nominal imp. : 75 Ohms	1.Center Cont. : Brass, Au Plated
Freq. Range. : DC – 1 GHz	2.Other Parts : Brass, Ni plated
Voltage Proof. : 1500 V AC	3.Insulator : P.T.F.E
Insulation Resistance : 5000 M Ohms min	
Center Cont. resistance: 10 m Ohms max	
Operating Temp. range : -40°C TO +85°C	
Rated Voltage : 500 V AC	





SYNERGY TELECOM (P) LTD.

13-15, RPS Flats, E-Block, Vileca Park, New Delhi - 110 018 (INDIA)
 Phone: +91-11-28533349 Fax: +91-11-28534435 Mobile: +91-9810138894
 Email: pradeep@rfconnectorhouse.com, MSN: pradeepgrowal@synergy@hotmail.com
 PRINCIPAL SITE: <http://www.viisrcom.info> Skype Account: pradeepg
 My trademanager ID: synergytelecom www.rfconnector.info

pdfMachine
A pdf writer that produces quality PDF files with ease!
 Produce quality PDF files in seconds and preserve the integrity of your original documents. Compatible across nearly all Windows platforms, simply open the document you want to convert, click "print", select the "Broadgun pdfMachine printer" and that's it! Get yours now!