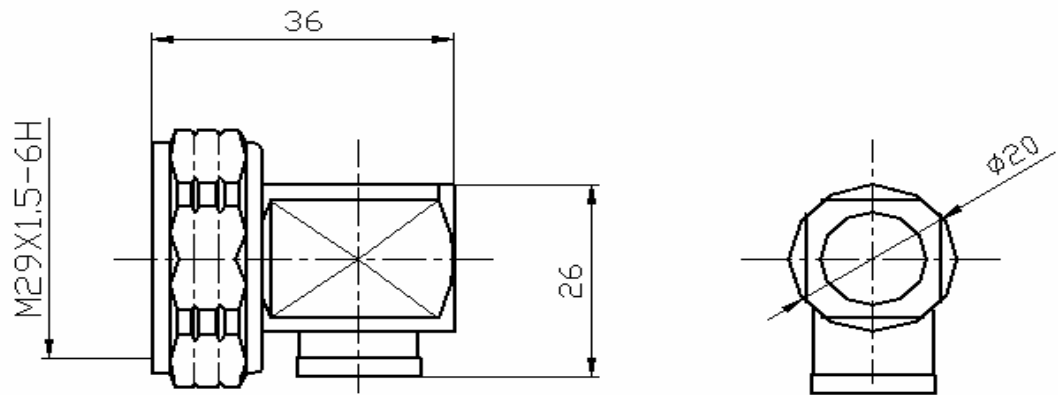


Synergy Telecom P Ltd.

7/16 DIN Male Right Angle Connector For 1/4" Superflexible Cable



Interface

According to

IEC 60169-4

Electrical

Characteristic Impedance

50 ohm

Frequency Range

DC-7.5GHz

VSWR

$\leq 1.10 @ DC-2200MHz$; $\leq 1.15 @ DC-3000MHz$;

Insertion Loss

$\leq 0.08dB @ 2200MHz$

Dielectric Withstanding Voltage

$\geq 4000V$ RMS, 50Hz, at sea level

Dielectric Resistance

$\geq 10000M\Omega$

Contact Resistance

Center Contact $\leq 0.4m\Omega$

Outer Contact $\leq 1 m\Omega$

Mechanical

Durability

Mating cycles ≥ 500

Material and plating

	Material	Plating
Body	Brass	Ni
Insulator	PTFE	-
Center conductor	Phosphor bronze	Ag
Coupling Nut	Brass	Ni
Sealing Cap	Brass	Ni
Gasket	Silicone Rubber	-
Shrinkable Tube	PVC	-

Environmental

Temperature Range

$-40^{\circ}C \sim +85^{\circ}C$

Weatherproof Rate

IP 67

RoHs Compliant