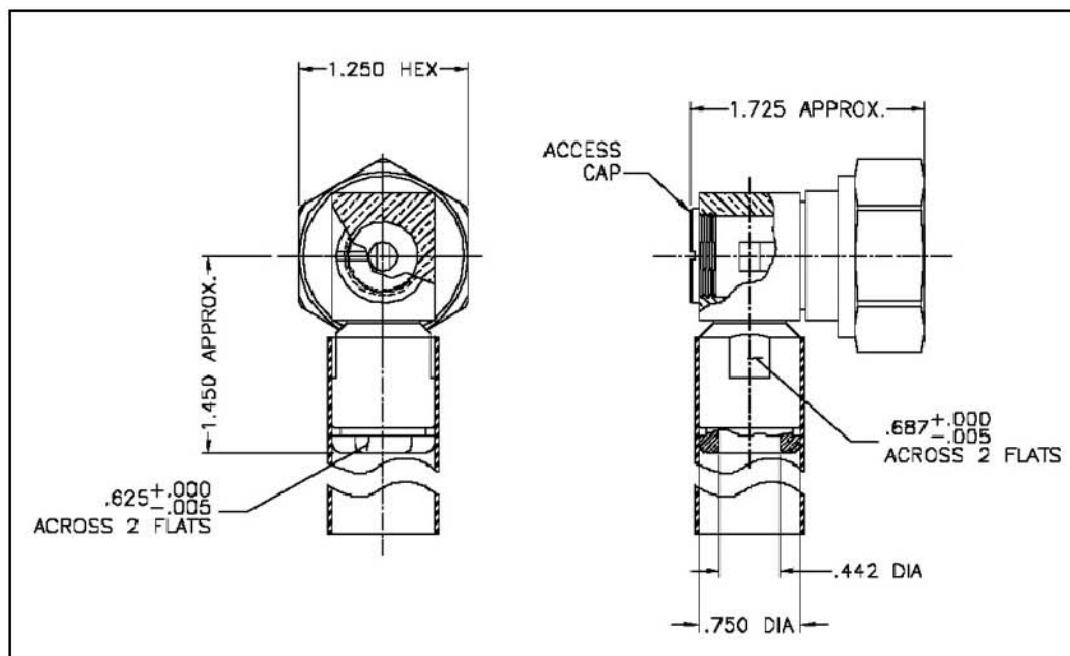


LTR	DESCRIPTION	DATE	BY
-	Released	3/12/04	JCL



I. MATERIALS & FINISHES

- center contact: Silver Plated Brass
- outer contact: Alballoy Plated Brass
- body: Alballoy Plated Brass
- other metal parts: Alballoy Plated Brass
- gasket: Silicone Rubber
- dielectric: Teflon® PTFE
- shrink sleeve: Adhesive Lined Polyolefin
- attachment: braid clamp

II. ELECTRICAL PROPERTIES

- impedance: 50 ohms
- working voltage: 2700 vrms (max)
- vswr: 1.25:1 (max) up to 3 GHz
- insertion loss: 0.15 x √Fghz

Unless otherwise specified, dimensions are in inches. Tolerances are applicable when specified.

These drawings and specifications contain proprietary information which is the property of Times Microwave Systems.

Approvals		
Drawn	JCL	3/12/04
Size		
A		