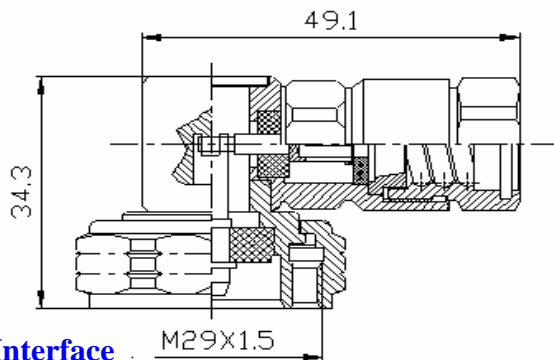


# Synergy Telecom P Ltd.

## 7/16 DIN Male Right Angle Connector for 1/2" flexible Cable



### Interface

According to

IEC 60169-4

### Electrical

Characteristic Impedance

50-ohm

Frequency Range

DC-7.5GHz

VSWR

$\leq 1.09 @ 800-2500\text{MHz}$ ;  $\leq 1.12 @ \text{DC}-3000\text{MHz}$

Dielectric Withstanding Voltage

$\geq 4000\text{V RMS}, 50\text{Hz}$ , at sea level

Dielectric Resistance

$\geq 10000\text{M}\Omega$

Contact Resistance

Center Contact  $\leq 0.4\text{m}\Omega$

Outer Contact  $\leq 1\text{m}\Omega$

### Mechanical

Durability

Mating cycles  $\geq 500$

### Material and plating

Body

Material

Brass

Plating

Tri-metal

Insulator

PTFE

Center conductor

Phosphor bronze

Ag

Coupling Nut

Brass

Ni

Other Parts

Brass

Ni

Gasket

Silicone Rubber

-

### Environmental

Temperature Range

$-40^\circ\text{C} \sim +85^\circ\text{C}$

Weatherproof Rate

IP 67