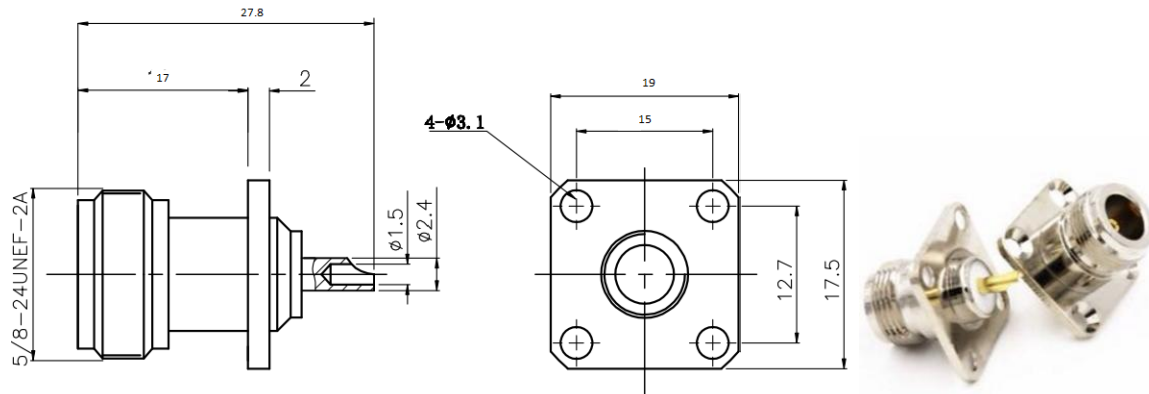


Synergy Telecom P Ltd.

N FEMALE SQUARE FLANGE 19MM

Part no-ST02NF4H19311



Electrical:

Characteristic Impedance	50 ohm
Frequency Range	DC-11 GHz
VSWR	≤1.15@DC-6 GHz
Dielectric Withstanding Voltage	≥1000V RMS,50Hz,at sea level
Dielectric Resistance	≥5000MΩ
Contact Resistance	Center Contact ≤1mΩ Outer Contact ≤0.25mΩ

Mechanical:

Durability	Mating Cycles ≥500
------------	--------------------

Material and Plating:

	Material	Plating
Body	Brass	Ni
Insulator	PTFE(Teflon)	-
Center conductor	Phosphor Copper	Au

Environmental:

Operating Temperature Range	-40°C ~ +85°C
RoHs	Compliant