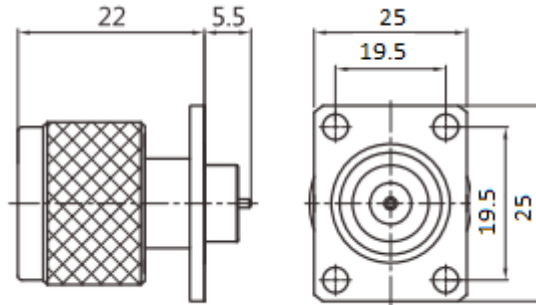


Synergy Telecom P Ltd.

N MALE CONNECTOR 4 HOLE SOLDER PORT

Part no-ST02NM4H0311



Electrical:

Characteristic Impedance	50 ohm
Frequency Range	DC-11 GHz
VSWR	≤ 1.15 @DC-6 GHz
Dielectric Withstanding Voltage	≥ 1000 V RMS,50Hz,at sea level
Dielectric Resistance	≥ 5000 M Ω
Contact Resistance	Center Contact ≤ 1 m Ω Outer Contact ≤ 0.25 m Ω

Mechanical:

Durability	Mating Cycles ≥ 500
------------	--------------------------

Material and Plating:

	Material	Plating
Body	Brass	Ni
Insulator	PTFE(Teflon)	-
Center conductor	Phosphor Copper	Au

Environmental:

Operating Temperature Range	-40°C ~ +85°C
RoHs	Compliant