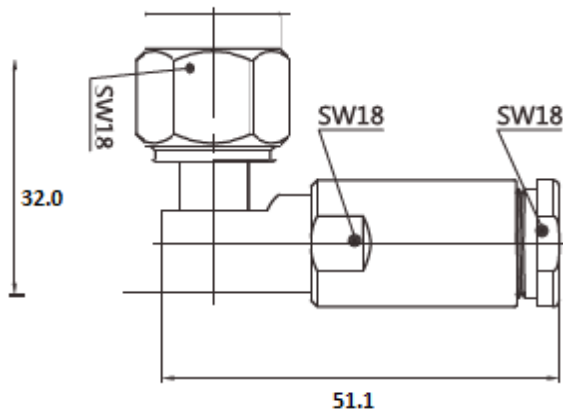


Synergy Telecom P Ltd.

N MALE R/A ½" SUPERFLEX CABLE

Part No-ST02NM12S206



Electrical:

Characteristic Impedance	50 ohm
Frequency Range	DC-6 GHz
VSWR	≤1.15@DC-4 GHz
Dielectric Withstanding Voltage	≥1000V RMS,50Hz,at sea level
Dielectric Resistance	≥5000MΩ
Contact Resistance	Center Contact ≤1mΩ Outer Contact ≤0.25mΩ

Mechanical:

Durability	Mating Cycles ≥500
------------	--------------------

Material and Plating:

	Material	Plating
Body	Brass	Ni
Insulator	PTFE(Teflon)	-
Center conductor	Phosphor Copper	NI

Environmental:

Operating Temperature Range	-40°C ~ +85°C
RoHs	Compliant

WZ-47 BUDHELLA VILLAGE ,VIKASPURI NEW DELHI-110018
Phone: 011-28533349, Mob: 9810138894/9212558066, Fax: 011-28533349
Email:- info@rfconnector.in, Website:- www.rfconnector.in