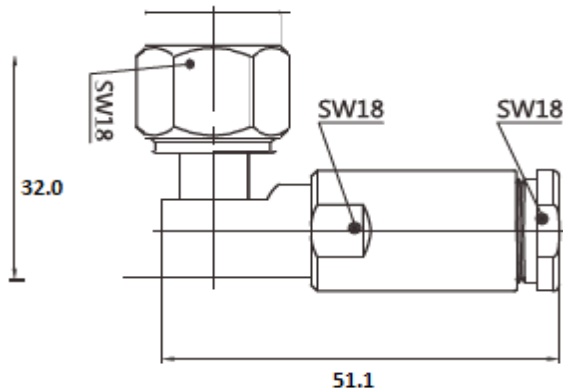


# Synergy Telecom P Ltd.

## N MALE R/A 1/4" SUPERFLEX CABLE

Part No-ST02NM14S206



### Electrical:

Characteristic Impedance	50 ohm
Frequency Range	DC-6 GHz
VSWR	$\leq 1.15$ @DC-4 GHz
Dielectric Withstanding Voltage	$\geq 1000$ V RMS,50Hz,at sea level
Dielectric Resistance	$\geq 5000$ M $\Omega$
Contact Resistance	Center Contact $\leq 1$ m $\Omega$ Outer Contact $\leq 0.25$ m $\Omega$

### Mechanical:

Durability	Mating Cycles $\geq 500$
------------	--------------------------

### Material and Plating:

	Material	Plating
Body	Brass	Ni
Insulator	PTFE(Teflon)	-
Center conductor	Phosphor Copper	NI

### Environmental:

Operating Temperature Range	-40°C ~ +85°C
RoHs	Compliant

WZ-47 BUDHELLA VILLAGE ,VIKASPURI NEW DELHI-110018  
Phone: 011-28533349, Mob: 9810138894/9212558066, Fax: 011-28533349  
Email:- info@rfconnector.in, Website:- www.rfconnector.in