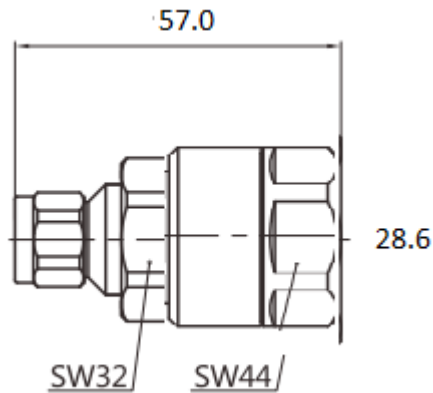


Synergy Telecom P Ltd.

N Male 7/8" Connector

Part No: ST02NM078208



Electrical:

Characteristic Impedance	50 ohm
Frequency Range	DC-7.5 Ghz
VSWR	$\leq 1.15 @ DC-3GHz$
Dielectric Withstanding Voltage	$\geq 1000V$ RMS, 50Hz, at sea level
Dielectric Resistance	$\geq 5000M\Omega$
Contact Resistance	Center Contact $\leq 1m\Omega$ Outer Contact $\leq 0.25m\Omega$

Mechanical:

Durability	Mating Cycles ≥ 500
------------	--------------------------

Material and Plating:

	Material	Plating
Body	Brass	CuSnZn
Insulator	PTFE(Teflon)	-
Center conductor	Phosphor Copper	Au

Environmental:

Operating Temperature Range	-40°C ~ +85°C
RoHs	Compliant

WZ-47 BUDHELLA VILLAGE ,VIKASPURI NEW DELHI-110018
Phone: 011-28533349, Mob: 9810138894/9212558066, Fax: 011-28533349
Email:- info@rfconnector.in, Website:- www.rfconnector.in