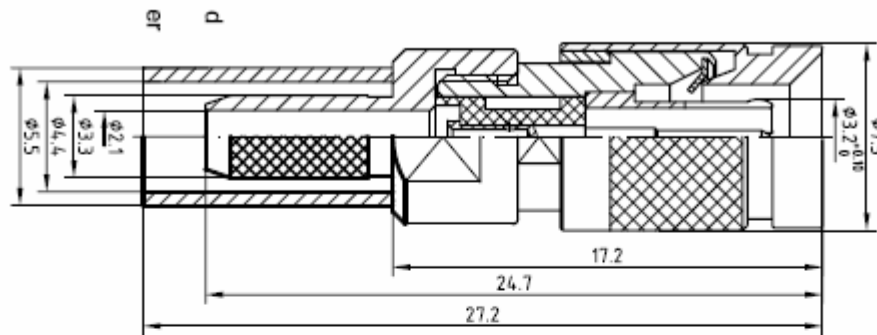




**SAA Male For BT 3002 Cable :-**



<b>Electrical</b>		
Characteristic impedance		50 ohm
Frequency range		DC-3GHz
VSWR		≤1.1
Contact resistance	inner conductor:	< 1.0mΩ
	outer conductor:	< 0.25 mΩ
Dielectric withstanding voltage		> 2500V RMS, 50Hz, at sea level
Dielectric resistance		> 5000MΩ
<b>Mechanical</b>		
Mating cycles		> 500
<b>Material and plating</b>		
Body	Material	plating
Insulator	Brass	Gold
Center conductor	Teflon	-
Coupling nut	Brass	Gold
<b>Environmental</b>		
Temperature range		-40°C ~ +85°C
<b>Drafted by:</b>	<b>Approved by:</b>	