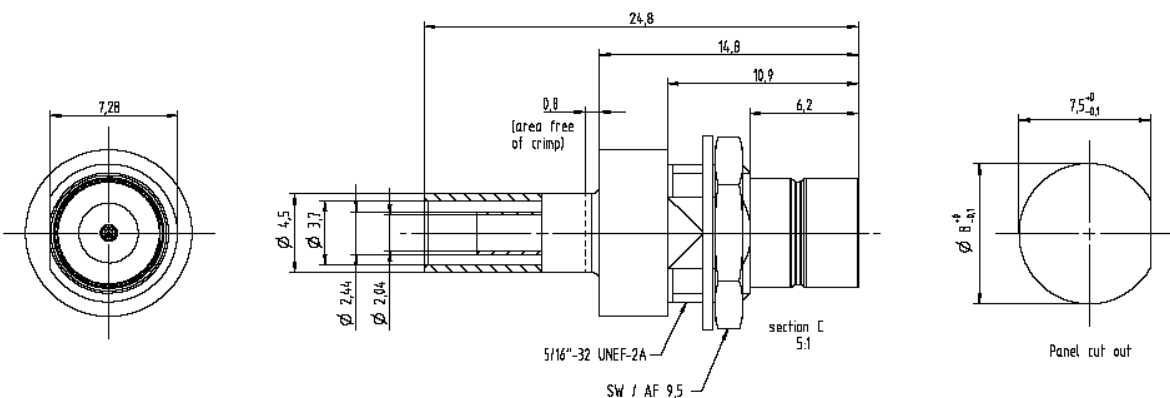


Synergy Telecom P Ltd.

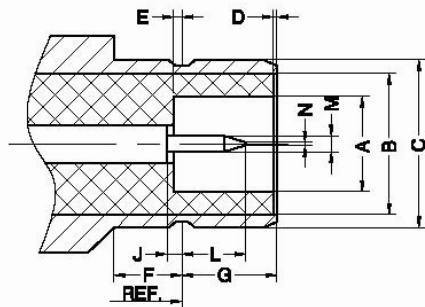
SMZ(M) FN B/H SOLDER G/P



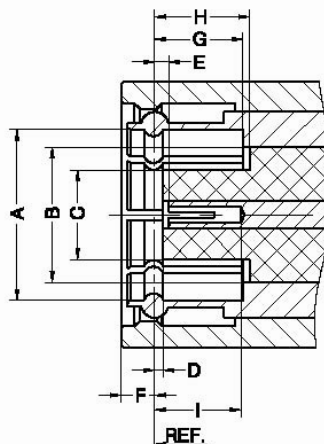
Type SMZ is one kind of RF connectors with snap-on coupling mechanism designed according to the standard of British telecommunications. Characteristic impedance 75Ω. They are widely applied in simulate correspond and digital communication. especially widely used in type 43 the digital distributor frame. At present, It gradually used in GSM, CDMA and 3G corresponding to the network. These connectors have characteristics of convenient connection, stable performance, and good reliability.

INTERFACE MATING DIMENSIONS

Pin connector



Socket connector



MAJOR TECHNICAL CHARACTERISTICS

Temperature Range	-55 ~ +155 °C (PE Cable -40 ~ +85 °C)	
Impedance	75 Ω	
Frequency Range	0 ~ 3GHz	
Working Voltage	500V r.m.s at sea level	
Withstanding Voltage	1500V r.m.s at sea level	
Contact resistance		
Center Contact		≦ 5mΩ
Outer Contact		≦ 2.5 mΩ
Insulation resistance		≧ 5000 MΩ
Center conductor retention force		≧ 0.28N
Insertion Loss		0.15dB
Voltage Standing Wave Ratio		
	Straight	≦ 1.20
	Right angle	≦ 1.30
Durability(mating)		≧ 500次 (cycles)

MATERIAL & PLATING

body	brass	nickel or gold plated
pin contact	brass	gold plated
socket contact	beryllium-copper	gold plated
resilient contact	beryllium-copper	gold plated
insulator	PTFE	
crimp ferrule	copper alloy	nickel or gold plated
o-ring sealing	silicone rubber	