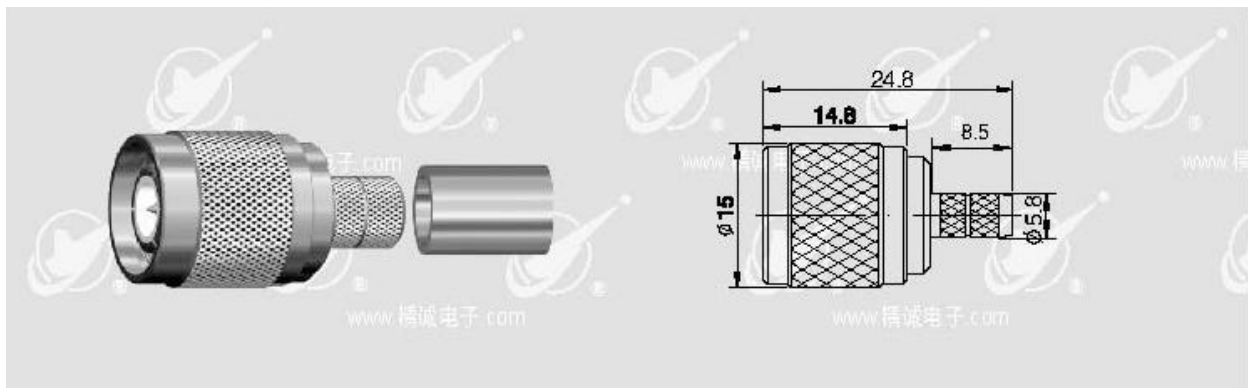


Synergy Telecom P Ltd.

TNC(M) LMR-240 CRIMP



TYPE TNC is a Kind of RF coaxial connectors with screw Coupling mechanism, Characteristic impedance is 50Ω . The characteristic of connector is in wide working frequency, reliable connection, great vibration performance etc. They are used in connection with RF coaxial cable in the computer network、radio station、the mini-car telephone、navigation of spaceflight、microwave monitor system using radar and all kinds of radio equipments.

MAJOR TECHNICAL CHARACTERISTICS

Temperature Range	-55 ~ +155°C
Vibration	150m/s (10–2000Hz)15g
Impedance	50 Ω
Frequency Range	DC ~ 11GHz
Working Voltage	500V r.m.s at sea level
Withstanding Voltage	1500V r.m.s at sea level
Contact resistance	
Center Contact	≦ 10 mΩ
Outer Contact	≦ 2.5 mΩ
Insulation resistance	≧ 5000 MΩ
Center conductor retention force	≧ 0.57N
Insertion Loss	≦ 0.20dB
Voltage Standing Wave Ratio	
	Straight ≦ 1.22/3GHz
	Right angle ≦ 1.30/3GHz
Durability(mating)	≧ 500次 (cycles)

MATERIAL & PLATING

body	brass	nickel plated
pin contact	brass	gold or silver plated
socket contact	beryllium–copper	gold or silver plated
resilient contact	beryllium–copper	gold plated
insulator	PTFE	
crimp ferrule	copper alloy	nickel plated
o–ring sealing	silicone rubber	