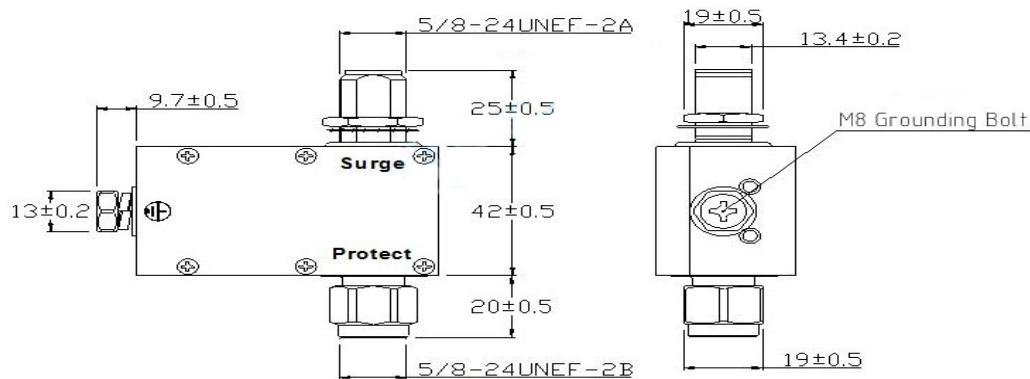


SYNERGY TELECOM PVT LTD

Gas Discharge Tube Type Surge Protector

With N Male to N Female Bulkhead Connector(P/N:LPGD-NJKY-1.2/2.6)



Interface

According to IEC

60169-16 Electrical

Characteristic Impedance

50 ohm

Dielectric Resistance

≥1kΩ

Contact Resistance

Center Contact ≤1mΩ

Outer Contact ≤1mΩ

Frequency Range

1.2-2.6GHz

VSWR

≤1.12@1.2-2.6GHz

Insertion Loss

≤0.2dB

Rating Working Voltage

5VDC

Continuous Operating Voltage(Max)

6VDC

Series Resistor

0.5Ω±20%

Voltage Protection Level

≤15V(8/20 μ s, 20kA)/ ≤20V(1.2/50 μ s, 4kV)

Impulse Breakdown Voltage

4kV, 1.2/50μs; 2kA, 8/20μs(10 times)

DC Breakdown Voltage

230±20%(@100v/s)

AC Discharge Current

0.25A(1s, 5 times)

Surge Discharge Current

20KA(8/20μs)

Peak RF Power

<100W

Maximum Withstand Current

25kA (8/20μs)

Material and Plating

Parts Name

Material

Plating

Housing

Alumilium

Ni

Insulator

PTFE

—

Center Pin

Phosphor Bronze

Au

O-ring (Sealing)

Silicon Rubber

—

Washer

Brass

Ni

Nut

Brass

Ni

Sealing cap

Brass

Ni

Grounding Component

Stainless Steel

—

Environmental

Temperature Range

-45~+85°C

Weatherproof Rate

IP 67 Work-

ing Humidity

<85°C/85% RH-48hrs

RoHs Compliant

WZ-47, Basement, Saini Chowk, Budella Village, New Delhi-110018, Phone: 91-11-28533349, Mobile: 91 9810138894,

Fax: 91-11-2853 1435, Email: Pradeep@rfconnectorhouse.com, Web: <http://www.rfconnector.info/>