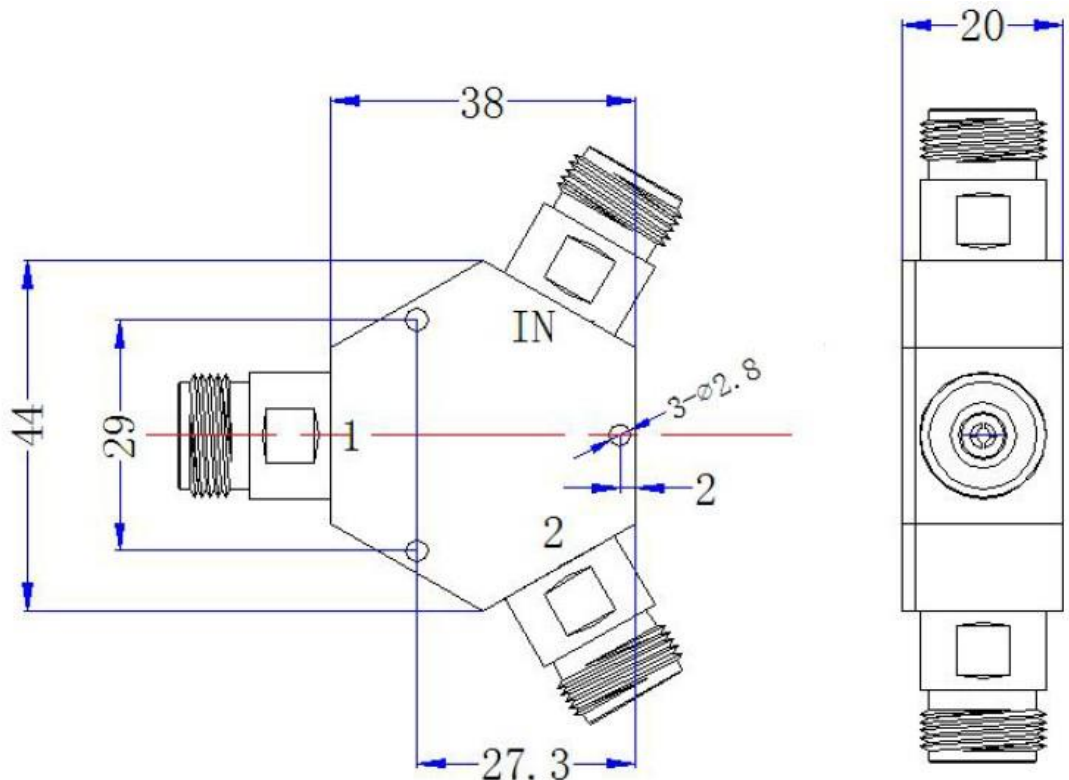


# Synergy Telecom P Ltd.

## 2Way Power Divider/Splitter NF DC~6Ghz Part No: ST04PS2WNF060

Frequency Range	DC-6000MHz
Insertion Loss	$\leq 6 \text{ dB} \pm 1 \text{ dB}$
VSWR	$\leq 1.35: 1$
Impedance	50 OHMS
Connectors	N-Female
Power	CW : $\leq 1 \text{ Watt}$
Operating Temperature	-40°C to +70°C
Surface Color	Silvery Sandblasting Guide
Size Tolerance	$\pm 0.5 \text{ mm}$



WZ-47 BUDHELLA VILLAGE ,VIKASPURI NEW DELHI-110018

Phone: 011-28533349, Mob: 9810138894/9212558066, Fax: 011-28533349

Email:- [info@rfconnector.in](mailto:info@rfconnector.in), Website:- [www.rfconnector.in](http://www.rfconnector.in)