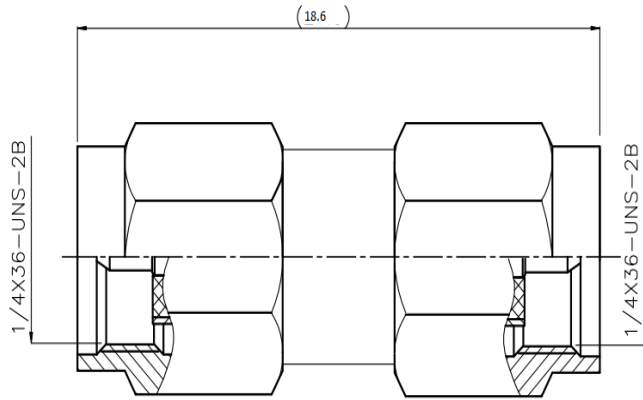


# Synergy Telecom P Ltd.

## SMA M TO SMA M ADAPTOR

Part No-ST01SMM006



### Electrical:

Characteristic Impedance	50 ohm
Frequency Range	DC-8 GHz
VSWR	≤1.10@DC-3 GHz
Insertion Loss	≤0.10 dB

### Mechanical:

Durability	Mating Cycles ≥500
------------	--------------------

### Material and Plating:

	Material	Plating
Body	Brass	Au
Insulator	PTFE(Teflon)	-
Center conductor	Phosphor Copper	Au

### Environmental:

Operating Temperature Range	-40°C ~ +85°C
RoHs	Compliant
Weatherproof Rate	IP 67