

Synergy Telecom P Ltd.

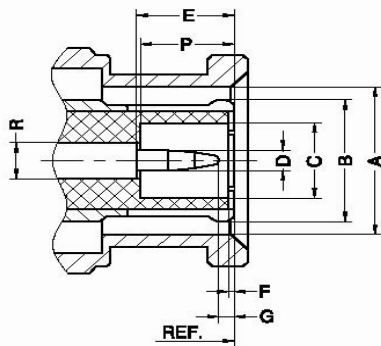
BNC(M) RG-59 CLAMP



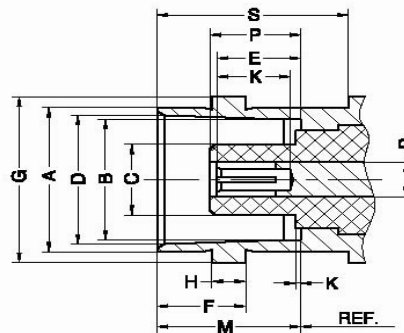
TYPE BNC is one kind of RF coaxial connectors using a bayonet type coupling mechanism characteristic impedance has two types: $50\ \Omega$ and $75\ \Omega$. They can be quick connect/disconnect, reliable lock etc. they are widely used in connection with the RF coaxial cables in computer field network of wireless, medical equipment and electronic instrument.

INTERFACE MATING DIMENSIONS ($50\ \Omega$)

Pin connector



Socket connector



MAJOR TECHNICAL CHARACTERISTICS

Temperature Range	-55 ~ +155 °C (PE Cable -40 ~ +85 °C)	
Impedance	50 Ω, 75 Ω	
Frequency Range	DC ~ 4GHz	
Working Voltage	500V r.m.s	at sea level
Withstanding Voltage	1500V r.m.s	at sea level
Contact resistance		
Center Contact		≦ 1.5 mΩ
Outer Contact		≦ 1 mΩ
Insulation resistance		≧ 5000 MΩ
Center conductor retention force		≧ 0.57N
Insertion Loss		≦ 0.20dB/3GHz
Voltage Standing Wave Ratio		
	Straight	≦ 1.22/3GHz
	Right angle	≦ 1.30/3GHz
Durability(mating)		≧ 500次 (cycles)

MATERIAL & PLATING

body	brass	nickel plated
pin contact	brass	gold or silver plated
socket contact	beryllium-copper	gold or silver plated
resilient contact	Tin bronze	gold or silver plated
insulator	PTFE	
crimp ferrule	copper alloy	nickel plated
o-ring sealing	silicone rubber	