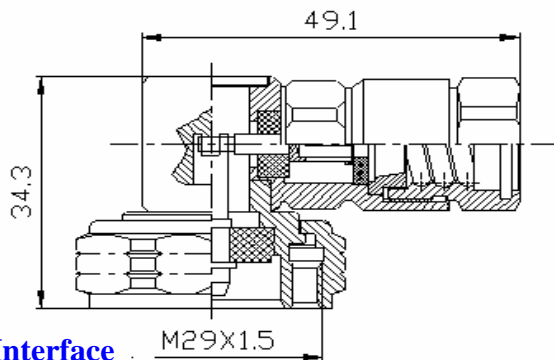


Synergy Telecom P Ltd.

7/16 DIN Male Right Angle Connector for 1/2" flexible Cable



Interface
According to

IEC 60169-4

Electrical

Characteristic Impedance

50 ohm

Frequency Range

DC-7.5GHz

VSWR

$\leq 1.09 @ 800-2500\text{MHz}$; $\leq 1.12 @ \text{DC}-3000\text{MHz}$

Dielectric Withstanding Voltage

$\geq 4000\text{V RMS}, 50\text{Hz}$, at sea level

Dielectric Resistance

$\geq 10000\text{M}\Omega$

Contact Resistance

Center Contact $\leq 0.4\text{m}\Omega$

Outer Contact $\leq 1\text{m}\Omega$

Mechanical

Durability

Mating cycles ≥ 500

Material and plating

	Material	Plating
Body	Brass	Tri-metal
Insulator	PTFE	-
Center conductor	Phosphor bronze	Ag
Coupling Nut	Brass	Ni
Other Parts	Brass	Ni
Gasket	Silicone Rubber	-

Environmental

Temperature Range

$-40^\circ\text{C} \sim +85^\circ\text{C}$

Weatherproof Rate

IP 67

WZ-47 BUDHELLA VILLAGE, VIKASPURI, NEW DELHI – 110018
PHONE: 011-28533349, MOB: 9810138894/9212558066, FAX: 011-28533349
EMAIL: info@rfconnector.in, WEBSITE: <http://rfconnector.in/>