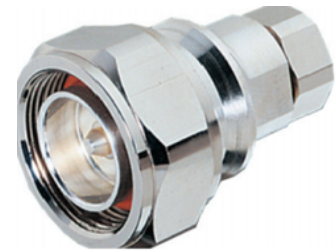
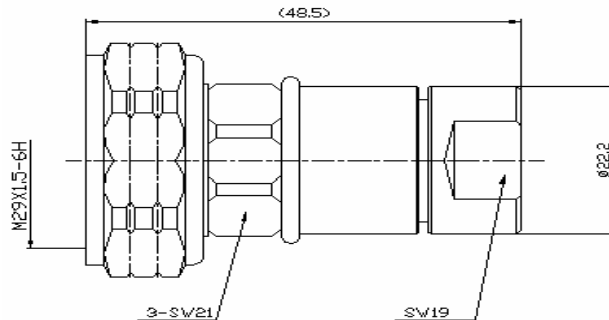


Synergy Telecom P Ltd.

7/16 DIN Male Connector for 1/2" Foam Feeder Cable



Interface

According to

IEC 60169-4

Electrical

Characteristic Impedance

50 ohm

Frequency Range

DC-7.5GHz

VSWR

$\leq 1.10 @ DC-3000MHz$

Insertion Loss

$\leq 0.08dB @ 2200MHz$

Dielectric Withstanding Voltage

$\geq 4000V$ RMS, 50Hz, at sea level

Dielectric Resistance

$\geq 10000M\Omega$

Contact Resistance

Center Contact $\leq 0.4m\Omega$

Outer Contact $\leq 1m\Omega$

Mechanical

Durability

Mating cycles ≥ 500

Material and plating

	Material	Plating
Body	Brass	Tri-Metal
Insulator	PTFE	-
Center conductor	Phosphor bronze	Ag
Coupling Nut	Brass	Ni
Other Parts	Brass	Ni
Gasket	Silicone Rubber	-

Environmental

Temperature Range

$-40^{\circ}C \sim +85^{\circ}C$

Weatherproof Rate

IP 67

RoHs (2002/95/EC)

Compliant

WZ-47 BUDHELLA VILLAGE, VIKASPURI, NEW DELHI – 110018
 PHONE: 011-28533349, MOB: 9810138894/9212558066, FAX: 011-28533349
 EMAIL: info@rfconnector.in, WEBSITE: <http://rfconnector.in/>