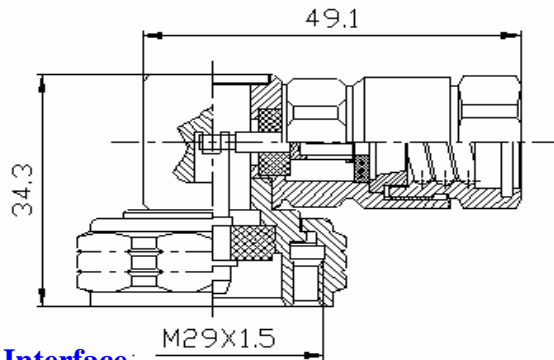


# Synergy Telecom P Ltd.

## 7/16 DIN Male Right Angle Connector for 1/2" Superflexible Cable



### Interface

According to

IEC 60169-4

### Electrical

Characteristic Impedance

50 ohm

Frequency Range

DC-7.5GHz

VSWR

$\leq 1.09@800-2500\text{MHz}$ ;  $\leq 1.12@DC-3000\text{MHz}$

Dielectric Withstanding Voltage

$\geq 4000\text{V RMS}, 50\text{Hz}$ , at sea level

Dielectric Resistance

$\geq 10000\text{M}\Omega$

Contact Resistance

Center Contact  $\leq 0.4\text{m}\Omega$

Outer Contact  $\leq 1\text{ m}\Omega$

### Mechanical

Durability

Mating cycles  $\geq 500$

### Material and plating

	Material	Plating
Body	Brass	Tri-metal
Insulator	PTFE	-
Center conductor	Phosphor bronze	Ag
Coupling Nut	Brass	Ni
Other Parts	Brass	Ni
Gasket	Silicone Rubber	-

### Environmental

Temperature Range

$-40^{\circ}\text{C} \sim +85^{\circ}\text{C}$

Weatherproof Rate

IP 67

WZ-47 BUDHELLA VILLAGE, VIKASPURI, NEW DELHI – 110018  
PHONE: 011-28533349, MOB: 9810138894/9212558066, FAX: 011-28533349  
EMAIL: [info@rfconnector.in](mailto:info@rfconnector.in), WEBSITE: <http://rfconnector.in/>