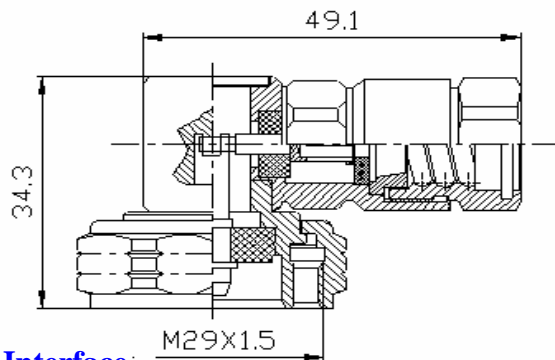


Synergy Telecom P Ltd.

7/16 DIN Male Right Angle Connector for 1/2" Superflexible Cable



Interface

According to

IEC 60169-4

Electrical

Characteristic Impedance

50-ohm

Frequency Range

DC-7.5GHz

VSWR

$\leq 1.09@800-2500\text{MHz}$; $\leq 1.12@DC-3000\text{MHz}$

Dielectric Withstanding Voltage

$\geq 4000\text{V RMS}, 50\text{Hz}$, at sea level

Dielectric Resistance

$\geq 10000\text{M}\Omega$

Contact Resistance

Center Contact $\leq 0.4\text{m}\Omega$

Outer Contact $\leq 1\text{m}\Omega$

Mechanical

Durability

Mating cycles ≥ 500

Material and plating

Body

Material

Brass

Plating

Tri-metal

Insulator

PTFE

Center conductor

Phosphor bronze

Ag

Coupling Nut

Brass

Ni

Other Parts

Brass

Ni

Gasket

Silicone Rubber

-

Environmental

Temperature Range

$-40^{\circ}\text{C} \sim +85^{\circ}\text{C}$

Weatherproof Rate

IP 67

13-15 RPS flats, E-block, Vikaspuri, N Delhi-110018, India
 Phone-91 11 28533349, Mobile-91 98101 38894, Fax -91 11 2853 1435,
 E-mail : pradeep@rfconnectorhouse.com, Website : <http://www.rfconnector.info/>