

Synergy Telecom P Ltd.

7/16 DIN Male Right Angle Connector For 1/4" Superflexible Cable

Synergy Telecc

Synergy Telecc

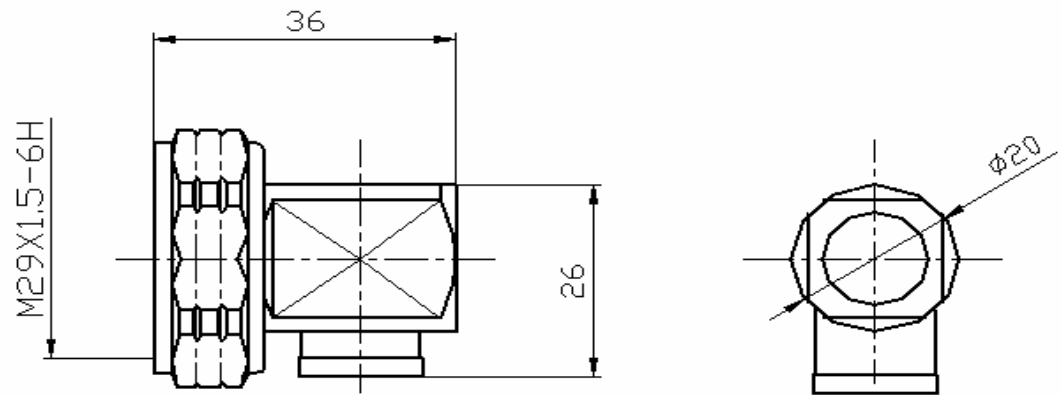
Synergy Telecc

Synergy Telecc

Synergy Telecc

Synergy Telecc

Synergy Telecc



Interface

According to

IEC 60169-4

Electrical

Characteristic Impedance

50 ohm

Frequency Range

DC-7.5GHz

VSWR

≤ 1.10 @DC-2200MHz; ≤ 1.15 @DC-3000MHz;

Insertion Loss

≤ 0.08 dB@2200MHz

Dielectric Withstanding Voltage

≥ 4000 V RMS,50Hz,at sea level

Dielectric Resistance

≥ 10000 M Ω

Contact Resistance

Center Contact ≤ 0.4 m Ω

Outer Contact ≤ 1 m Ω

Mechanical

Durability

Mating cycles ≥ 500

Material and plating

Material

Plating

Body

Brass

Ni

Insulator

PTFE

-

Center conductor

Phosphor bronze

Ag

Coupling Nut

Brass

Ni

Sealing Cap

Brass

Ni

Gasket

Silicone Rubber

-

Shrinkable Tube

PVC

-

Environmental

Temperature Range

-40 $^{\circ}$ C ~ +85 $^{\circ}$ C

Weatherproof Rate

IP 67

RoHs Compliant