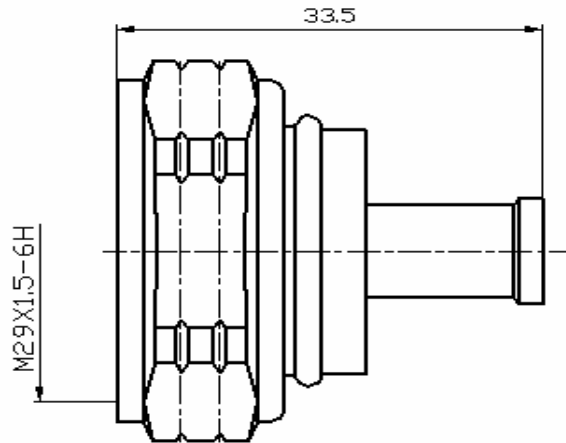


Synergy Telecom P Ltd.

7/16 DIN Male Connector For 1/4" Superflexible Cable



Interface

According to

IEC 60169-4

Electrical

Characteristic Impedance

50 ohm

Frequency Range

DC-7.5GHz

VSWR

$\leq 1.10 @ DC-3000MHz;$

Insertion Loss

$\leq 0.08dB @ 2200MHz$

Dielectric Withstanding Voltage

$\geq 4000V$ RMS, 50Hz, at sea level

Dielectric Resistance

$\geq 10000M\Omega$

Contact Resistance

Center Contact $\leq 0.4m\Omega$

Outer Contact $\leq 1 m\Omega$

Mechanical

Durability

Mating cycles ≥ 500

Material and plating

Body

Material

Brass

Plating

Ni

Insulator

PTFE

Center conductor

Phosphor bronze

Ag

Coupling Nut

Brass

Ni

Gasket

Silicone Rubber

Shrinkable Tube

PVC

Environmental

Temperature Range

$-40^{\circ}C \sim +85^{\circ}C$

Weatherproof Rate

IP 67

RoHs Compliant