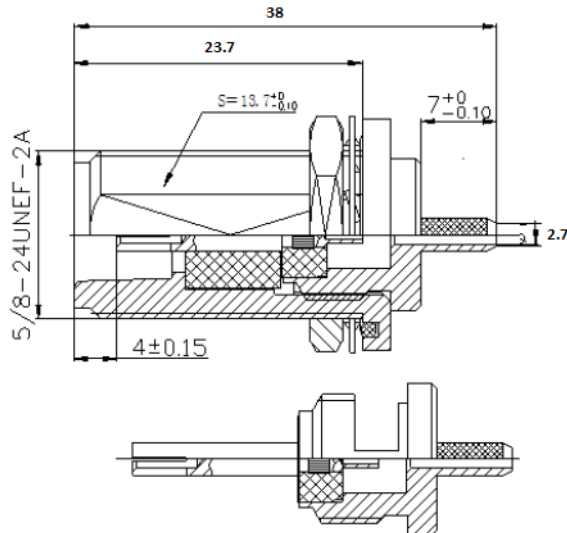


# Synergy Telecom P Ltd.

## N FEMALE FN B/H RG316/RG174/RG179/LMR100 CRIMP

**Part no-ST02NFBH316104**



### **Electrical:**

Characteristic Impedance	50 ohm
Frequency Range	DC-4 GHz
VSWR	≤1.15@DC-3 GHz
Dielectric Withstanding Voltage	≥1000V RMS,50Hz,at sea level
Dielectric Resistance	≥5000MΩ
Contact Resistance	Center Contact ≤1mΩ Outer Contact ≤0.25mΩ

### **Mechanical:**

Durability	Mating Cycles ≥500
------------	--------------------

### **Material and Plating:**

	Material	Plating
Body	Brass	Ni
Insulator	PTFE(Teflon)	-
Center conductor	Phosphor Copper	Au

### **Environmental:**

Operating Temperature Range	-40°C ~ +85°C
RoHs	Compliant

WZ-47 BUDHELLA VILLAGE ,VIKASPURI NEW DELHI-110018  
Phone: 011-28533349, Mob: 9810138894/9212558066, Fax: 011-28533349  
Email:- info@rfconnector.in, Website:- www.rfconnector.in