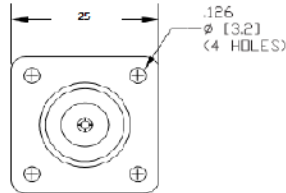
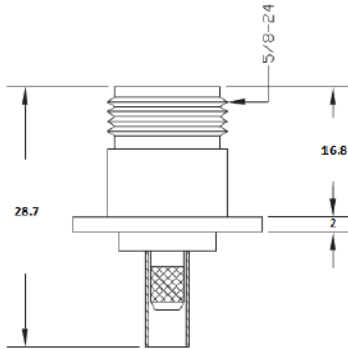


Synergy Telecom P Ltd.

N FEMALE 4HOLE RG316/RG174/RG179/LMR100 CRIMP

Part no-ST02NF4H316104



Electrical:

| | |
|---------------------------------|--|
| Characteristic Impedance | 50 ohm |
| Frequency Range | DC-4 GHz |
| VSWR | $\leq 1.15@DC-3GHz$ |
| Dielectric Withstanding Voltage | $\geq 1000V$ RMS,50Hz,at sea level |
| Dielectric Resistance | $\geq 5000M\Omega$ |
| Contact Resistance | Center Contact $\leq 1m\Omega$ Outer Contact $\leq 0.25m\Omega$ |

Mechanical:

| | |
|------------|--------------------------|
| Durability | Mating Cycles ≥ 500 |
|------------|--------------------------|

Material and Plating:

| | Material | Plating |
|------------------|-----------------|----------------|
| Body | Brass | Ni |
| Insulator | PTFE(Teflon) | - |
| Center conductor | Phosphor Copper | Au |

Environmental:

| | |
|-----------------------------|----------------------------------|
| Operating Temperature Range | $-40^{\circ}C \sim +85^{\circ}C$ |
| RoHs | Compliant |