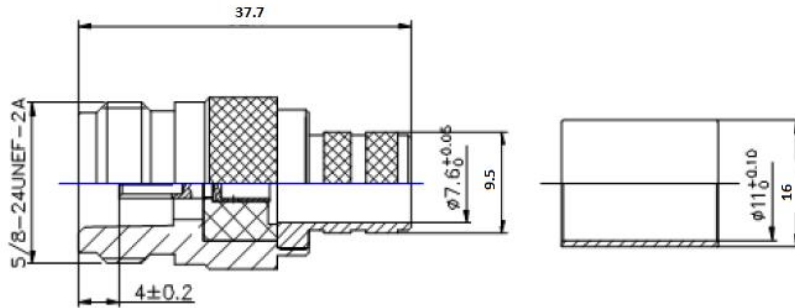


Synergy Telecom P Ltd.

N FEMALE CRIMP CONNECTOR LMR400 CABLE

Part no-ST02NF400106



Electrical:

| | |
|---------------------------------|--|
| Characteristic Impedance | 50 ohm |
| Frequency Range | DC-6 GHz |
| VSWR | ≤1.15@DC-4 GHz |
| Dielectric Withstanding Voltage | ≥1000V RMS,50Hz,at sea level |
| Dielectric Resistance | ≥5000MΩ |
| Contact Resistance | Center Contact ≤1mΩ Outer Contact ≤0.25mΩ |

Mechanical:

| | |
|------------|--------------------|
| Durability | Mating Cycles ≥500 |
|------------|--------------------|

Material and Plating:

| | Material | Plating |
|------------------|-----------------|---------|
| Body | Brass | Ni |
| Insulator | PTFE(Teflon) | - |
| Center conductor | Phosphor Copper | Au |

Environmental:

| | |
|-----------------------------|---------------|
| Operating Temperature Range | -40°C ~ +85°C |
| RoHs | Compliant |