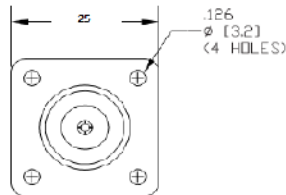
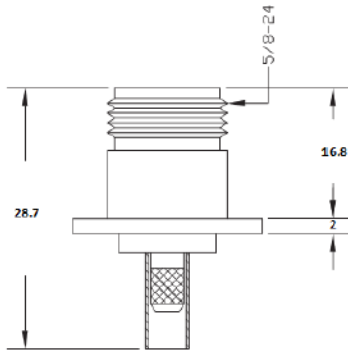


Synergy Telecom P Ltd.

N FEMALE LMR 200 CRIMP

Part no-ST02NF400106



Electrical:

Characteristic Impedance	50 ohm
Frequency Range	DC-4 GHz
VSWR	$\leq 1.15 @ DC-3GHz$
Dielectric Withstanding Voltage	$\geq 1000V$ RMS,50Hz,at sea level
Dielectric Resistance	$\geq 5000M\Omega$
Contact Resistance	Center Contact $\leq 1m\Omega$ Outer Contact $\leq 0.25m\Omega$

Mechanical:

Durability	Mating Cycles ≥ 500
------------	--------------------------

Material and Plating:

	Material	Plating
Body	Brass	Ni
Insulator	PTFE(Teflon)	-
Center conductor	Phosphor Copper	Au

Environmental:

Operating Temperature Range	$-40^{\circ}C \sim +85^{\circ}C$
RoHs	Compliant