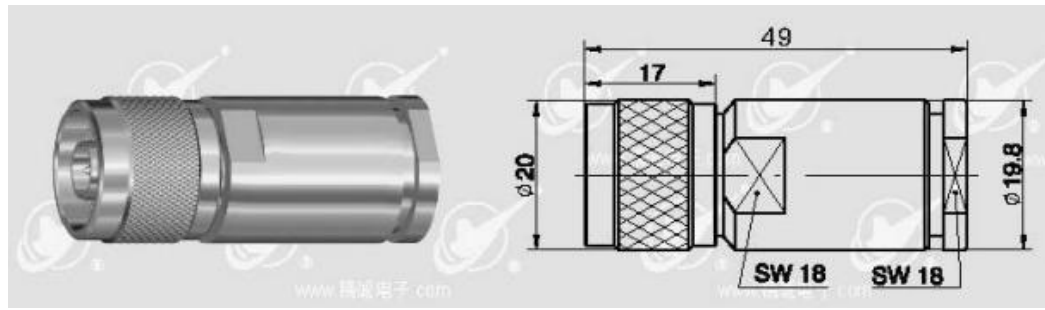


Synergy Telecom P Ltd.

Synergy Telecom (P) Ltd Sy **N Male Clamp Connector For LMR 500 Cable:-** ecom (P) Ltd

Synergy Telecom (P) Ltd Synergy Telecom (P) Ltd Synergy Telecom (P) Ltd Synergy Telecom (P) Ltd



Electrical Specification

Characteristic Impedance	50 ohm
Frequency Range	DC - 3 GHz
VSWR	≤ 1.10(0~2.2G) ≤ 1.15(0~3G)
Dielectric strength	≥2500V RMS, at sea level
Dielectric Resistance	≥ 5000 M Ω
Insertion Loss	≤ 0.08dB (@2200MHz)
Center Contact Resistance	≤ 1.0 m Ω
Center Contact Resistance	≤ 0.25 m Ω
RoHS	Compliance

Mechanical

Durability Mating cycle	≥500
Termination cable retention	≥300N

Material Specification

Connector Parts	Material	Plating
Outer Contact	Brass	CuSnZn
Center Contact	Brass	Au
Fastener	Brass	Ni
Dielectric	PTFE	

Environmental

Temperature Range -40°C - +85°C

13-15 RPS flats, E-block, VIKASPURI, N DELHI-110018, INDIA
 Phone-91 11 28533349, Mobile-91 98101 38894, Fax -91 11 2853 1435,
 E-mail : pradeep@rfconnectorhouse.com, Website : http://www.rfconnector.info/