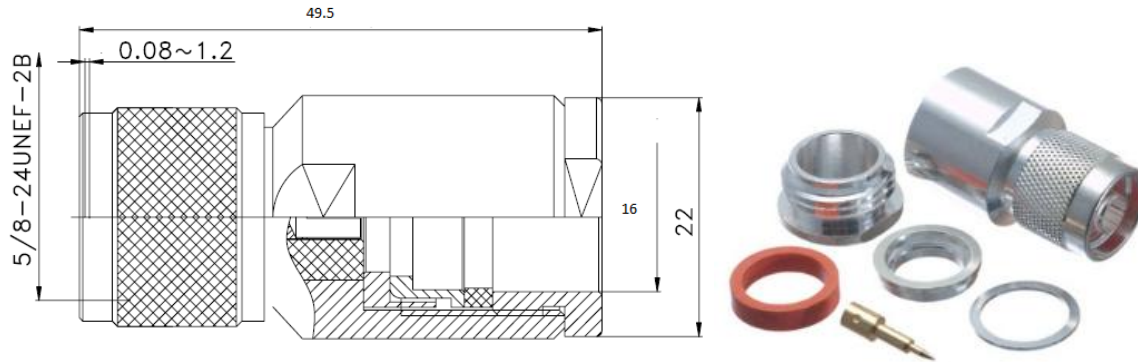


# Synergy Telecom P Ltd.

## N MALE CONNECTOR LMR 600 CLAMP

Part no-ST02NM600206



### Electrical:

|                                 |  |
|---------------------------------|--|
| Characteristic Impedance        | 50 ohm   |
| Frequency Range                 | DC-6 GHz   |
| VSWR                            | $\leq 1.15 @ DC-3GHz$  |
| Dielectric Withstanding Voltage | $\geq 1000V$ RMS,50Hz,at sea level                                 |
| Dielectric Resistance           | $\geq 5000M\Omega$   |
| Contact Resistance              | Center Contact $\leq 1m\Omega$<br>Outer Contact $\leq 0.25m\Omega$ |

### Mechanical:

|            |                          |
|------------|--------------------------|
| Durability | Mating Cycles $\geq 500$ |
|------------|--------------------------|

### Material and Plating:

|                  | Material        | Plating |
|------------------|-----------------|---------|
| Body             | Brass           | Ni      |
| Insulator        | PTFE(Teflon)    | -       |
| Center conductor | Phosphor Copper | Au      |

### Environmental:

|                             |                                  |
|-----------------------------|----------------------------------|
| Operating Temperature Range | $-40^{\circ}C \sim +85^{\circ}C$ |
| RoHs                        | Compliant                        |