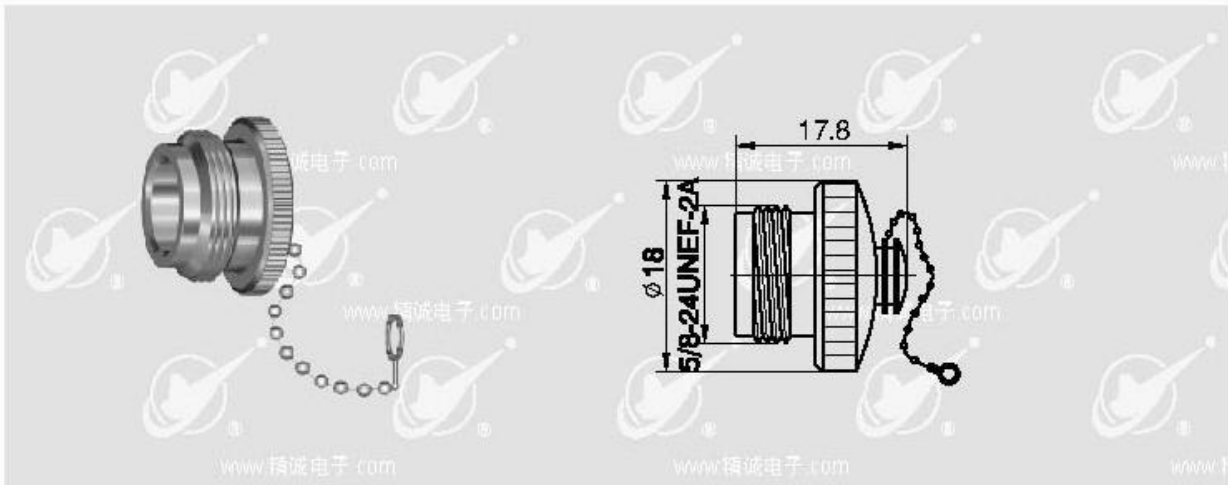
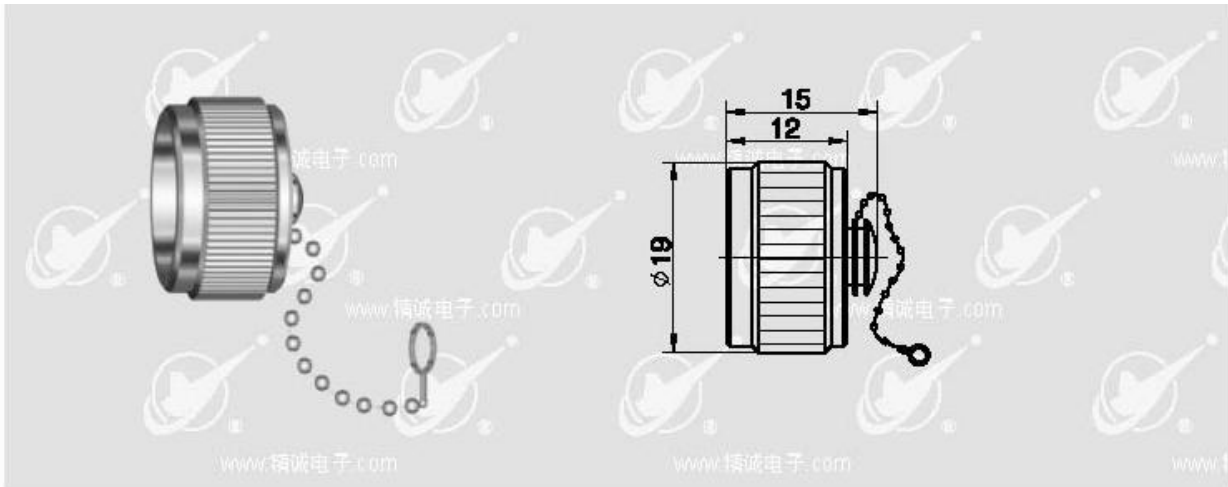


Synergy Telecom P Ltd.

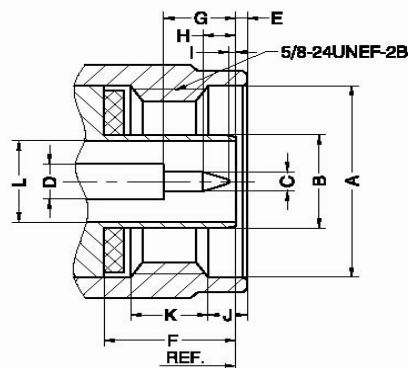
PROTECTIVE CAP



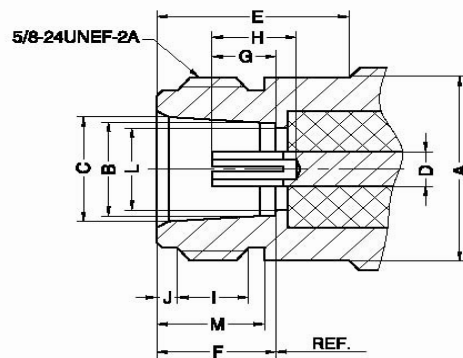
Type N is a kind of low to medium power connectors with screw coupling. characteristic impedance has two types: 50Ω and 75Ω . The characteristic of connector is high reliability, great vibration performance, excellent mechanical and electrical performance etc. they are used in connection with RF coaxial cable in radio instrument、communication equipment、microwave test and ground launch system at vibration and inclement weather circumstance. By using semi-rigid or semi-flex cable, this type will gain smaller VSWR, and the frequency can by up to 11GHz.

INTERFACE MATING DIMENSIONS

Pin connector



Socket connector



MAJOR TECHNICAL CHARACTERISTICS

Temperature Range	-55 ~ +155°C (PE Cable -40 ~ +85°C)	
Vibration	100m/S ² (10~500Hz),10g	
Impedance	50 Ω	
Frequency Range	DC ~ 11GHz	
Working Voltage	1000V r.m.s at sea level	
Withstanding Voltage	2500V r.m.s at sea level	
Contact resistance	Center Contact	≤ 1 mΩ
	Outer Contact	≤ 1 mΩ
Insertion Loss	≤ 0.24dB(6GHz)	
Center conductor retention force	≥ 0.56N	
Insulation resistance	≥ 5000 MΩ	
Voltage Standing Wave Ratio	Straight	≤ 1.15/6GHz
	Right angle	≤ 1.25/6GHz
Coupling nut retention force	450N	
Durability(mating)	≥ 500次 (cycles)	

MATERIAL & PLATING

body	brass	nickel plated
pin contact	brass	gold plated
resilient contact	beryllium-copper	gold plated
socket contact	beryllium or tin bronze	gold plated
insulator	PTFE	
crimp ferrule	copper alloy	nickel or gold plated
o-ring sealing	silicone rubber	