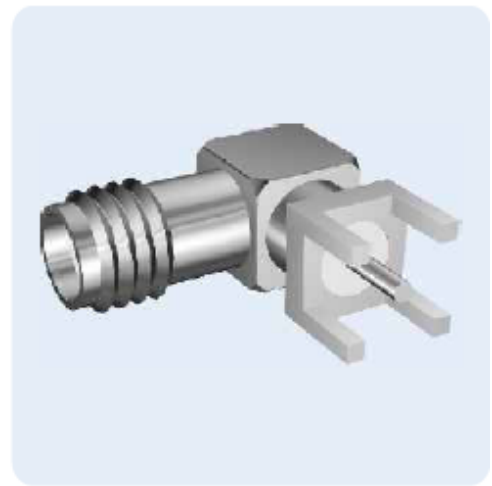
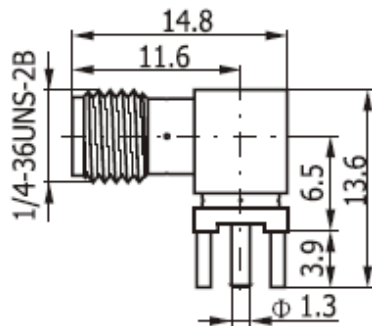


Synergy Telecom P Ltd.

SMA(F) R/A PCB MOUNT G/P



TYPE SMA is one kind of RF coaxial connectors that is widely applied, with small-sized thread coupling. characteristic impedance is 50Ω. The characteristic of connectors is in wide frequency range, excellent performance, high reliability. They are used in connection with RF cable or micro-strip line in RF circuit of the WLAN system, controlled program, microwave equipment and the digital communication system. The frequency can be up to 18GHz by using semi-rigid or semi-flex cable.

MAJOR TECHNICAL CHARACTERISTICS

Temperature Range	-55~ +155°C (PE Cable -40~ +85°C)	
Vibration	98m/S (10~2000Hz) 10g	
Impedance	50Ω ²	
Frequency Range	DC~12.4GHz(Semi-Rigled Cable DC~18GHz)	
Working Voltage	335V r.m.s at sea level	
Withstanding Voltage	1000V r.m.s at sea level	
Contact resistance		
Center Contact		≦3mΩ
Outer Contact		≦2.5 mΩ
Insulation resistance		≧5000 MΩ
Center conductor retention force		≧ 0.28N
Coupling nut retention force		≧180 N
Insertion Loss		≦0.15 dB/6GHz
Voltage Standing Wave Ratio		
	Straight	≦1.10+0.02f
	Right angle	≦1.20+0.03f
Durability(mating)		≧500次 (cycles)

MATERIAL & PLATING

Body	brass	gold plated
pin contact	brass	gold plated
ocket contact	beryllium-copper	gold plated
resilient contact	beryllium-copper	gold plated
insulator	PTFE	
crimp ferrule	copper alloy	nickel or gold plated
o-ring sealing	6146 silicone rubber	

WZ-47 BUDHELLA VILLAGE, VIKASPURI, NEW DELHI – 110018

PHONE: 011-28533349, MOB: 9810138894/9212558066, FAX: 011-28533349

EMAIL: info@rfconnector.in, WEBSITE: <http://rfconnector.in/>