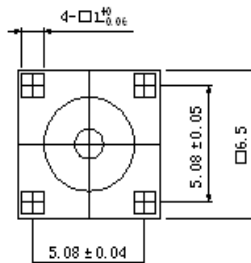
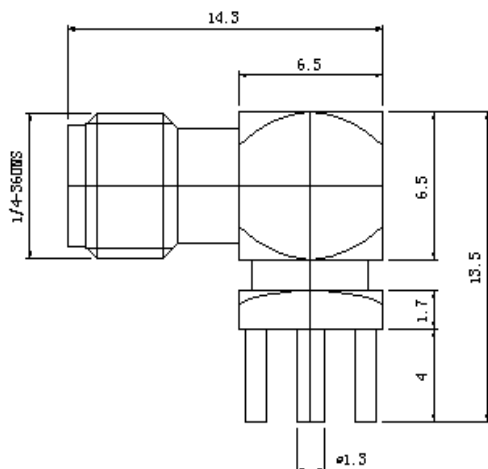


Synergy Telecom P Ltd.

SMA Female RA RP PCB Mount Connector

Part No: ST02SMAFRAP3012



Electrical:

Characteristic Impedance	50 ohm
Frequency Range	DC-12 Ghz
VSWR	≤1.15@DC-6GHz
Dielectric Withstanding Voltage	≥1000V RMS,50Hz,at sea level
Dielectric Resistance	≥5000MΩ
Contact Resistance	Center Contact ≤3mΩ Outer Contact ≤2.5mΩ

Mechanical:

Durability	Mating Cycles ≥500
------------	--------------------

Material and Plating:

	Material	Plating
Body	Brass	Au
Insulator	PTFE(Teflon)	-
Center conductor	Phosphor Copper	Au

Environmental:

Operating Temperature Range	-40°C ~ +85°C
RoHs	Compliant

WZ-47 BUDHELLA VILLAGE, VIKASPURI, NEW DELHI – 110018
PHONE: 011-28533349, MOB: 9810138894/9212558066, FAX: 011-28533349
EMAIL: info@rfconnector.in, WEBSITE: <http://rfconnector.in/>