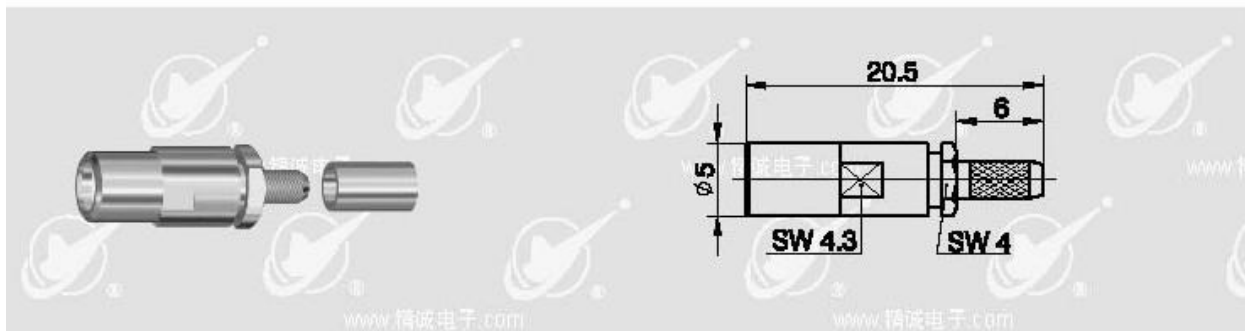


Synergy Telecom P Ltd.

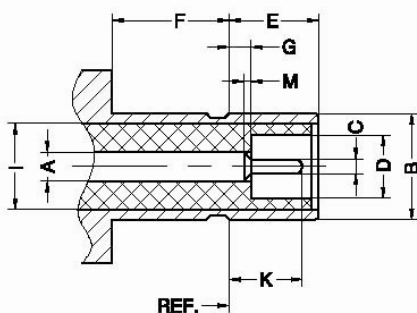
SSMB(F) LMR-100 CRIMP



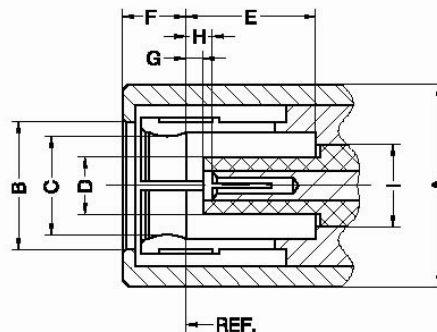
TYPE SSMB is one kind of microminiature RF coaxial connectors with snap-on coupling mechanism, characteristic impedance is 50Ω . The characteristic of connector is in small volume、light weight、easy to use、excellent electrical performance. They are widely used in connection with RF coaxial cable in the global position system、Digital personal computer network、wireless net card、PC/LAN. By using surface mounting technology, the product is packed by rotobaler, it is suitable for mass instrument equipment production and producing on the assembly line.

INTERFACE MATING DIMENSIONS

Pin connector



Socket connector



MAJOR TECHNICAL CHARACTERISTICS

Temperature Range	-55 ~ +155°C
Impedance	50 Ω
Frequency Range	DC ~ 3GHz
Working Voltage	250V r.m.s at sea level
Withstanding Voltage	500V r.m.s at sea level
Contact resistance	
Center Contact	≤ 5 mΩ
Outer Contact	≤ 2.5 mΩ
Insulation resistance	≥ 1000 MΩ
Center conductor retention force	≥ 0.16N
Voltage Standing Wave Ratio	≤ 1.07+0.10f (GHz)
Durability(mating)	≥ 500次 (cycles)

MATERIAL & PLATING

body	brass	gold plated
pin contact	Tin bronze	gold plated
socket contact	beryllium-copper	gold plated
insulator	PTFE	
crimp ferrule	copper alloy	gold plated
o-ring sealing	silicone rubber	