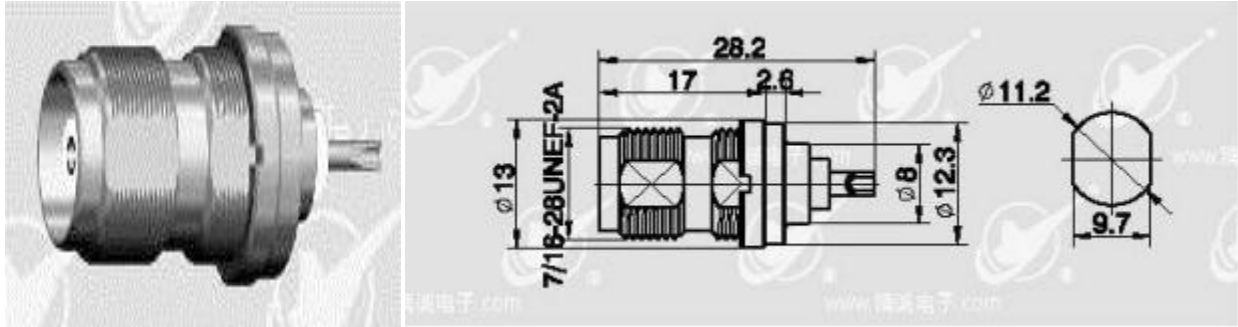


# Synergy Telecom P Ltd.

## TNC(F) B/H TEFLON



### Electrical Specification

Characteristic Impedance	50 ohm
Frequency Range	DC- 3 GHz
VSWR	$\leq 1.10(0\sim 2.2G)$ $\leq 1.15(0\sim 3G)$
Dielectric strength	$\geq 2500V$ RMS, at sea level
Dielectric Resistance	$\geq 5000 M \Omega$
Insertion Loss	$\leq 0.08dB$ (@2200MHz)
Center Contact Resistance	$\leq 1.0 m \Omega$
Center Contact Resistance	$\leq 0.25 m \Omega$
RoHS	Compliance

### Mechanical

Durability Mating cycle	$\geq 500$
Termination cable retention	$\geq 300N$

### Material Specification

Connector Parts	Material	Plating
Outer Contact	Brass	CuSnZn
Center Contact	Brass	Au
Fastener	Brass	Ni
Dielectric	PTFE	-

### Environmental

Temperature Range	- 40°C – +85 °C
-------------------	-----------------

WZ-47 BUDHELLA VILLAGE, VIKASPURI, NEW DELHI – 110018  
PHONE: 011-28533349, MOB: 9810138894/9212558066, FAX: 011-28533349  
EMAIL: [info@rfconnector.in](mailto:info@rfconnector.in), WEBSITE: <http://rfconnector.in/>