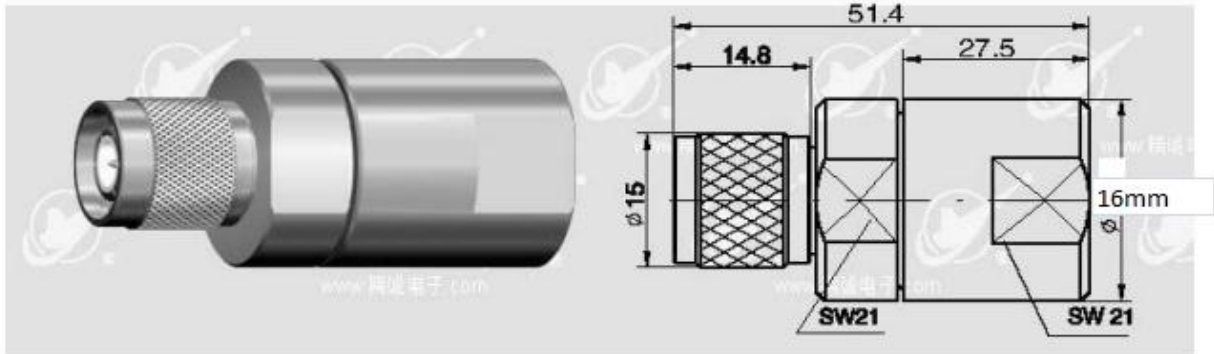


Synergy Telecom P Ltd.

TNC(M) 1/2" S.F



Electrical Specification

Characteristic Impedance	50 ohm
Frequency Range	DC-3 GHz
VSWR	≤ 1.10(0~2.2G) ≤ 1.15(0~3G)
Dielectric strength	≥2500V RMS, at sea level
Dielectric Resistance	≥ 5000 M.Ω
Insertion Loss	≤ 0.08dB (@2200MHz)
Center Contact Resistance	≤ 1.0 m.Ω
Center Contact Resistance	≤ 0.25 m.Ω
RoHS	Compliance

Mechanical

Durability Mating cycle	≥500
Termination cable retention	≥300N

Material Specification

Connector Parts	Material	Plating
Outer Contact	Brass	CuSnZn
Center Contact	Brass	Au
Fastener	Brass	Ni
Dielectric	PTFE	-

Environmental

Temperature Range	- 40°C – +85 °C
-------------------	-----------------

13-15 RPS flats, E-block, Vikaspuri, N Delhi-110018, India
 Phone-91 11 28533349, Mobile-91 98101 38894, Fax -91 11 2853 1435,
 E-mail : pradeep@rfconnectorhouse.com, Website : http://www.rfconnector.info/