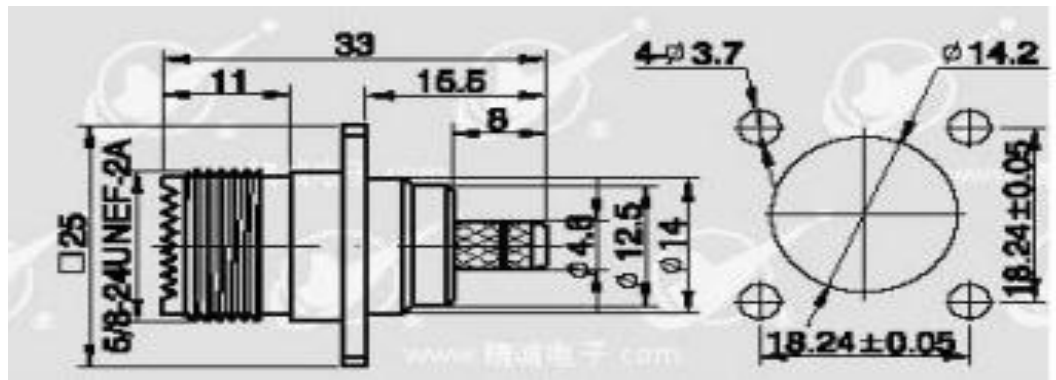




## UHF(F) 4 HOLE



### Electrical Specification

Characteristic Impedance	50 ohm
Frequency Range	DC-300 MHz
VSWR	≤ 1.07
Dielectric strength	≥2000V RMS, at sea level
Dielectric Resistance	≥ 5000 M Ω
Insertion Loss	≤ 0.08dB (@2200MHz)
Center Contact Resistance	≤ 5M Ω
Outer Contact Resistance	≤ 5MΩ
RoHS	Compliance

### Mechanical

Durability Mating cycle	≥500
Termination cable retention	≥300N

### Material Specification

Connector Parts	Material	Plating
Body	Brass	Gold/nickel
Outer Contact	Brass	CuSnZn
Center Contact	Brass	Au
Fastener	Brass	Ni
Dielectric	PTFE	

### Environmental

Temperature Range	- 40°C – +85 °C
-------------------	-----------------