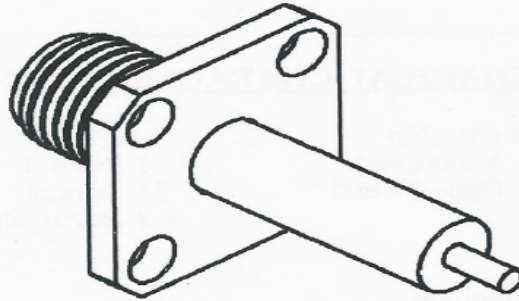


# Synergy Telecom P Ltd.

## SMA (F) Sq. Flange Receptical With Cylindrical



### Electrical Specification

**Characteristic Impedance**  
**Frequency Range**

**VSWR**  
**Insertion Loss**

**RoHS**

**50 ohm**  
**DC- 18 GHz**

**≤ 1.2**  
**0.07\* ./F(GHz) db Max**

**Compliance**

### Material Specification

**BODY**

**Plating**

**Centre Contact**

**Socket Contact**

**Insulater**

**Temperature Rating**

**Stainless Steel**

**Gold Over Nickel**

**Beryllium Copper**

**Beryllium Copper**

**PTFE**

**-65\*C to +105\*c**