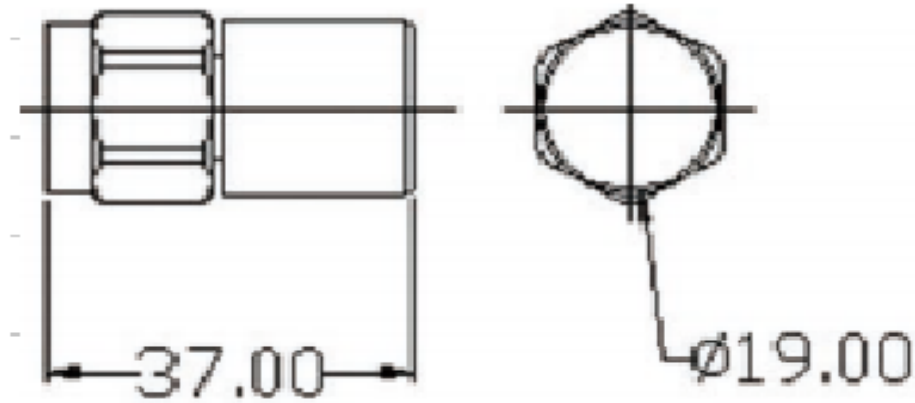


# SYNERGY TELECOM PVT. LTD

## 1 WATT DUMMYLOAD N MALE



Model Number	DL-1 W-3G-NM
Frequency (MHz)	3GHz
Temp Range	-55°C~+ 125°C
VSWR(max)	1.02
Impedance(Ohm)	50
Average Power	1 W
Connector Type	N-male
Application	Indoor