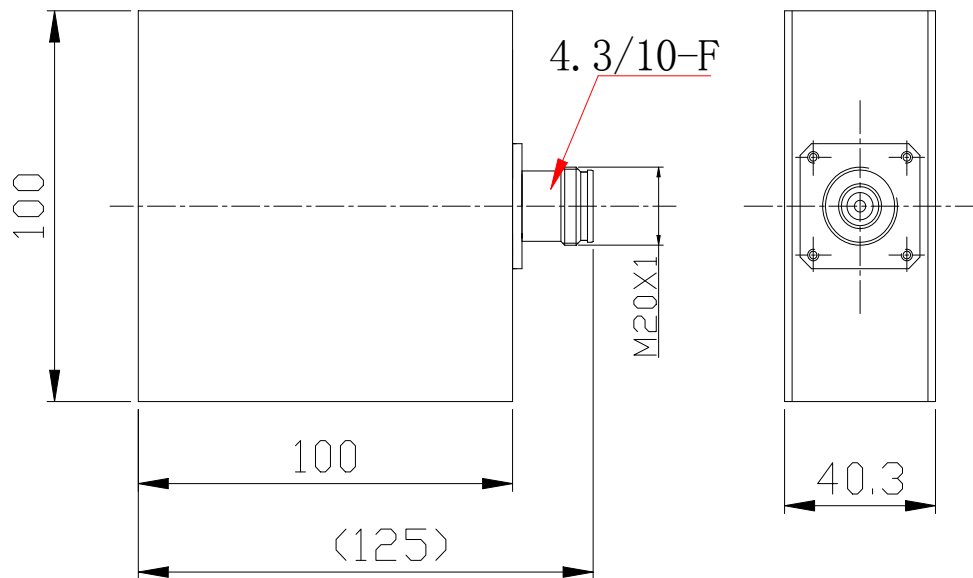


Specification

1.Dummy Load(4.3-10-F-150)

2.HT Model: HT.TER-304-05701

3.Outline Drawing



Items	ST 5W-4.3-10-F-150
Frequency(MHz)	600-3000
VSWR	≤1.25
Impedance (Ω)	50
Power (W)	5
PIM (IM3)	≤-150dBc@2×43dBm
Connector	4.3-10/F
Size (mm)	125X100X40
Weight (Kg)	1.1
Package size (mm)	345*285*260
Package quantity	10
Operating temperature (°C)	-30~+65
Protection degree	IP65