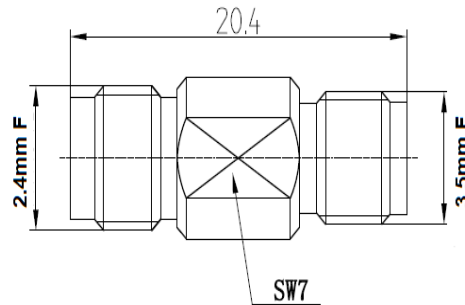


Synergy Telecom P Ltd.

Part No- ST023524FF027

2.4mm FEMALE TO 3.5mm FEMALE ADPATOR



Tolerance +/- 2mm

Electrical:

| | |
|--|--------------------------------|
| Characteristic Impedance | 50 ohm |
| Frequency Range | DC-26.5 Ghz |
| VSWR | $\leq 1.25 @ DC-26.5GHz$ |
| Insertion Loss | ≤ 0.3 dB |
| Dielectric withstanding Voltage | $\geq 1000V$ Vrms at Sea Level |
| RF high potential withstanding Voltage | $\geq 500V$ Vrms at 5Mhz |
| Insulation Resistance | ≥ 3000 MOhm |

Mechanical:

| | |
|------------|--------------------------|
| Durability | Mating Cycles ≥ 500 |
|------------|--------------------------|

Material and Plating:

| | Material | Plating |
|------------------|------------------|-----------------------|
| Body | Stainless Steel | Polished & Passivated |
| Insulator | PEI | |
| Center conductor | Beryllium Copper | Gold |

Environmental:

| | |
|-----------------------------|-----------------------------------|
| Operating Temperature Range | $-55^{\circ}C \sim +165^{\circ}C$ |
| RoHs | Compliant |

WZ-47 BUDHELLA VILLAGE ,VIKASPURI NEW DELHI-110018
Phone: 011-28533349, Mob: 9810138894/9212558066, Fax: 011-28533349
Email:- info@rfconnector.in, Website:- www.rfconnector.in