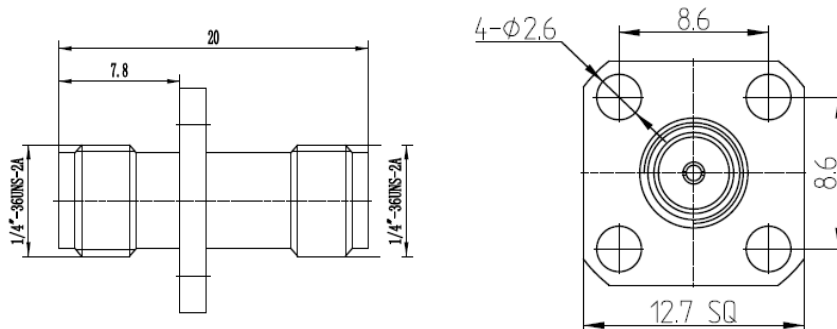


Synergy Telecom P Ltd.

Part No- ST02SSFF4H18

SMA FEMALE TO SMA FEMALE 4H ADPATOR



Tolerance +/- 2mm

Electrical:

Characteristic Impedance	50 ohm
Frequency Range	DC-27 Ghz
VSWR	≤1.15@DC-18GHz
Insertion Loss	≤0.3 dB
Dielectric withstanding Voltage	≥1000V Vrms at Sea Level
RF high potential withstanding Voltage	≥500V Vrms at 5Mhz
Insulation Resistance	≥3000 MOhm

Mechanical:

Durability	Mating Cycles ≥500
------------	--------------------

Material and Plating:

	Material	Plating
Body	Stainless Steel	Polished & Passivated
Insulator	PEI	
Center conductor	Beryllium Copper	Gold

Environmental:

Operating Temperature Range	-55°C ~ +165°C
RoHs	Compliant

WZ-47 BUDHELLA VILLAGE ,VIKASPURI NEW DELHI-110018
Phone: 011-28533349, Mob: 9810138894/9212558066, Fax: 011-28533349
Email:- info@rfconnector.in, Website:- www.rfconnector.in