

SYNERGY TELECOM PVT LTD

Product Data Sheet

FDDW6002/1C-3L



ShareLite DCS/UMTS Diplexer – In-line 1710-1880 MHz/1920-2170 MHz, no DC pass

Product Description

The ShareLite FDDW6002 series of diplexers is designed to enable feeder sharing between systems in the 1710-1880 MHz band and in the 1920-2170 MHz band. They are equipped with in-line connectors so they can be installed in the BTS cabinet or at the tower top. This is extremely valuable feature for crowded sites or when the feeders are not easily accessible. These diplexers contain a highly selective filter. It provides a high level of isolation between ports, while keeping the insertion loss on both paths at an extremely low level.



Features/Benefits

- Extremely low insertion loss
- High level of rejection between bands – Protects against interferences
- Compact design – Eases installation and reduces tower loading
- In-line long-neck connectors – Streamlines connection & waterproofing
- Exceptional reliability and environmental protection (IP67)
- Equipped with one Breathable Vent – Prevent any humidity inside the product
- Single and Dual modules available
- Optional DC pass for tower mounted amplifiers

Technical Specifications

Product Type	Diplexer/Cross Band Coupler
Application	GSM1800, UMTS2100
Frequency Range 1, MHz	1710-1880
Frequency Range 2, MHz	1920-2170
Configuration	ShareLite Single outdoor diplexer, no DC pass
Mounting	Wall Mounting: With 4 screws (maximum 6mm diameter); Pole Mounting: With included clamp set 40-110mm (1.57-4.33)
Return Loss All Ports, Min, dB	18
Power Handling Continuous, Max, W	500 at common port; 250 in low and high frequency path
Power Handling Peak, Max, W	8000
Impedance, Ohms	50
Insertion Loss, Path 1, dB	0.15 typ. / 0.3 max.
Insertion Loss, Path 2, dB	0.15 typ. / 0.3 max.
Rejection between Bands, Min, dB	55
IMP Level at the COM Port, Typ, dBm	-115 @2x43
DC Pass in GSM1800 Path	No
DC Pass in 3G/UMTS Path	No
Temperature Range, °C (°F)	-40 to +65 (-40 to +149)
Environmental	ETSI 300-019-2-4 Class 4.1E
Ingress Protection	IP 67
Lightning Protection	IEC61000-4-5 Level 4
Connectors	In-line long-neck 7-16-Female
Weight, kg (lb)	2.8 (6.2)
Shipping Weight, kg (lb)	9.4 (20.7) for 3 * single units in 1 * box
Dimensions, H x W x D, mm (in)	243 x 173 x 77 (9.6 x 6.8 x 3)
Shipping Dimensions, H x W x D, mm (in)	240 x 330 x 360 (9.45 x 12.99 x 14.17)
Volume, L	3.2
Housing	Aluminum

Notes

Other Documentation

All information contained in the present datasheet is subject to confirmation at time of ordering

RFS The Clear Choice ®

FDDW6002/1C-3L

Rev: B / 5/9/2012

Print Date: 12.06.2012

Please visit us on the internet at <http://www.rfsworld.com/>

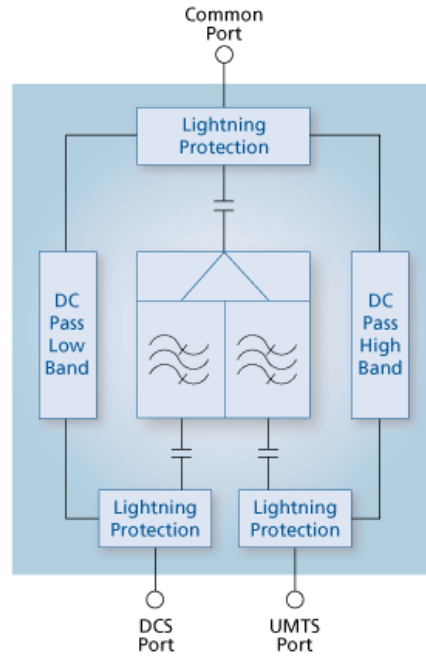
Radio Frequency Systems



ShareLite DCS/UMTS Diplexer – In-line 1710-1880 MHz/1920-2170 MHz, no DC pass

Installation Instructions: [FDDW6002_Installation_Rev2.pdf](#)

Selection Guide Diplexer		1710-1880 / 1920-2170MHz				
	Model Number	No DC Pass	DC Pass High Band	DC Pass Low Band	Full DC Pass	Mounting Hardware Included
Single	FDDW6002/1C-3L					X
	FDDW6002/2C-3L					X
	FDDW6002/3C-3L					X
	FDDW6002/4C-3L					X
Dual	KIT-FDDW6002/1C-DL					X
	KIT-FDDW6002/2C-DL					X
	KIT-FDDW6002/3C-DL					X
	KIT-FDDW6002/4C-DL					X



WZ- 47, Basement, Saini Chowk, Village Budella, Vikas Puri, New Delhi-110018,
 Phone 91-11-2583 3349, Mob: 91 98101 38894, Fax: 91-11-2853 1435, Email:
 Pradeep@rfconnectorhouse.com, Web: <http://www.rfconnector.in>

All information contained in the present datasheet is subject to confirmation at time of ordering