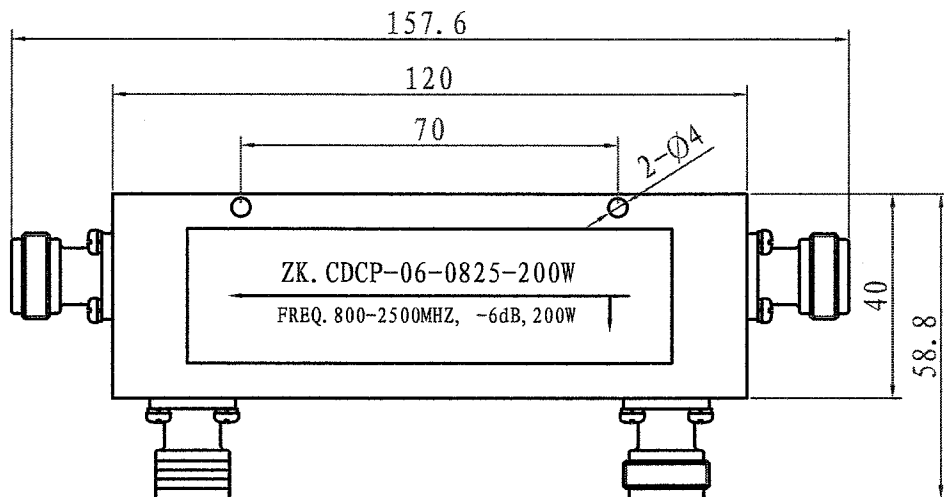




6dB CAVITY DIRECTIONAL COUPLER



Electrical

Characteristic impedance	50 ohm
Frequency range	806~2200/2200~2500MHz
Mean coupling	6dB
Insertion loss	≤1.65/≤1.75dB
VSWR(input port or output port)	≤1.25
VSWR(coupled port)	≤1.3
Frequency Sensitivity	±0.8dB
Directivity	≥18dB
Power	200W
Connectors all ports	N-F

Mechanical

Mating cycles	≥ 500
---------------	-------

Environmental

Temperature range	-40°C ~ +85°C
-------------------	---------------

Material and plating

	Material	Plating
Housings	Aluminum alloy	Passivating
Inner conductor	Brass	Ag
Body	Brass	Ni
Insulators	Teflon	-
Female contacts	Beryllium copper	Ag