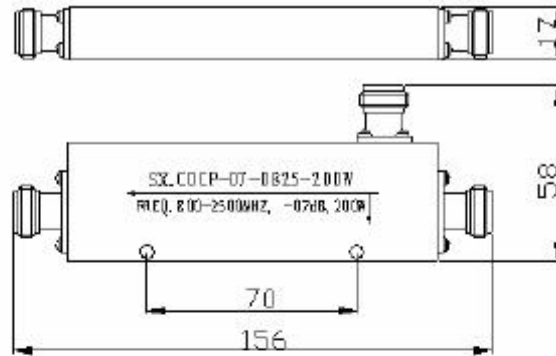




Directional Coupler 7DB :-

Specification of 7 dB Directional Coupler



Electrical

Characteristic impedance	50ohm
Frequency range	800~2500MHz
Nominal split loss	7dB
Insertion loss	≤0.5dB
VSWR(input port or output port)	≤1.25
VSWR(coupled port)	≤1.3
Frequency Sensitivity	±0.8dB
Directivity	≥18dB
Power	200W
Connectors all ports	N-F
Mechanical	
Mating cycle	≥500
Environmental	
Temperature range	-40℃~85℃

Material and plating

	Material	plating
Housings	Aluminum alloy	Passivation
Inner conductor	Brass	Ag
Body	Brass	Ni
Insulators	Teflon	--
Female contacts	Beryllium copper	Ag



SYNERGY TELECOM (P) LTD.

13-15, RPS Flats, E-Block, Vasant Puri, New Delhi - 110 018 (INDIA)
 Phone: +91-11-28533349 Fax: +91-11-28534435 Mobile: +91-981038894
 Email: pradeep@rfconnectorhouse.com, MSN: pradeepagrawal@synergy@hotmail.com
 PRINCIPAL SITE: <http://www.vlns.com/info> Skype Account: pradeepag
 My trademanager ID: synergytelecom www.rfconnectors.info

pdfMachine
A pdf writer that produces quality PDF files with ease!
 Produce quality PDF files in seconds and preserve the integrity of your original documents. Compatible across nearly all Windows platforms, simply open the document you want to convert, click "print", select the "Broadgun pdfMachine printer" and that's it! Get yours now!