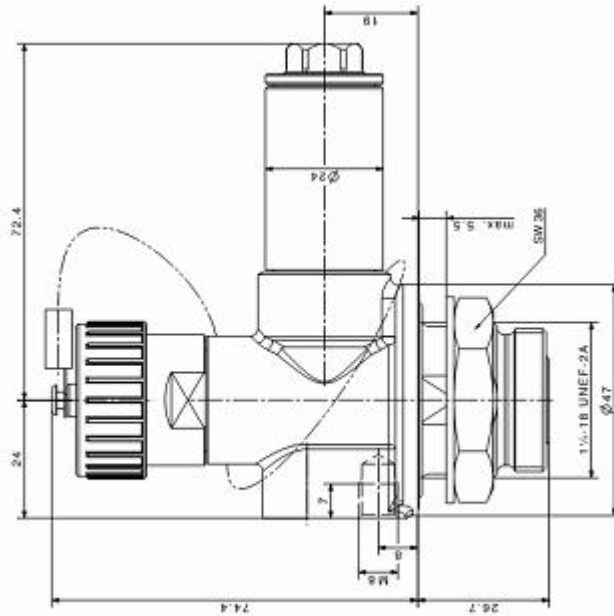




Din Female to Din Female BH 1-4 Surge Arrester



SYNERGY TELECOM (P) LTD.

13-15, RP5 Flats, E-Block, Vileca Park, New Delhi - 110 016 (INDIA)
Phone: +91-11-28533349 Fax: +91-11-28531435 Mobile: +91-9810138804
Email: pradeep@rfconnectorhouse.com, MSN: pradeepagrawal@synergy7@hotmail.com
PRINCIPAL SITE: <http://www.vitn.com/info> Skype Account: pradeepag
My trademark ID: synergytelecom www.rfconnectors.info

pdfMachine

A pdf writer that produces quality PDF files with ease!

Produce quality PDF files in seconds and preserve the integrity of your original documents. Compatible across nearly all Windows platforms, if you can print from a windows application you can use pdfMachine.

Get yours now!