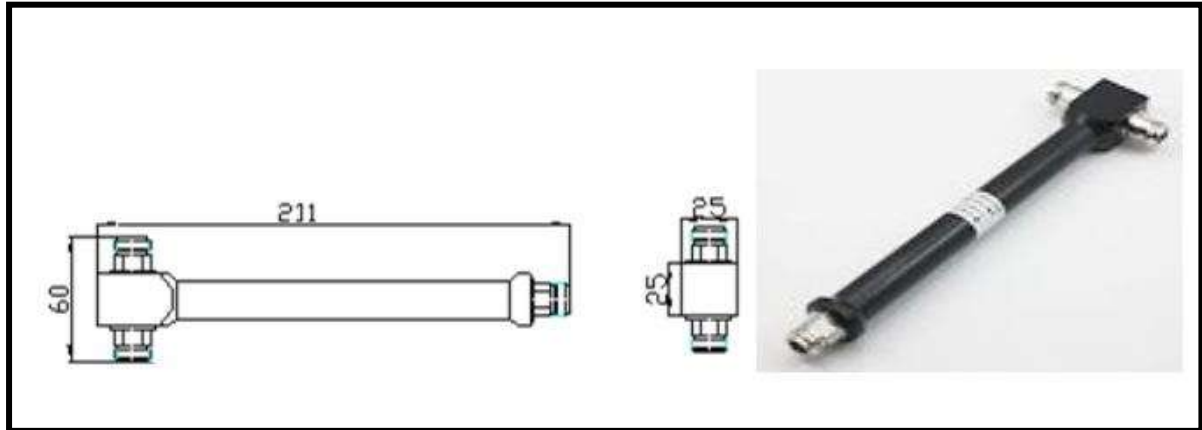


SYNERGY TELECOM PVT. LTD

2 Way Splitter 380-400MHz



Frequency (MHz)	380-400MHz
Insertion Loss (dB)	≤3.2
VSWR	≤ 1.25:1
Power Capacity (W)	200
Impedance (Ω)	50Ω
Connector	N-Female
Application	Indoor

Environmental Specification

Operating Temperature (°)	-35~+80
Color	Black-Plated
Relative Humidity	5%-95%