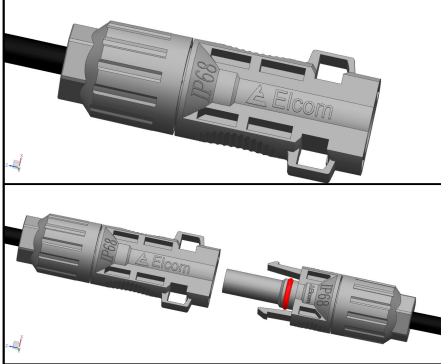
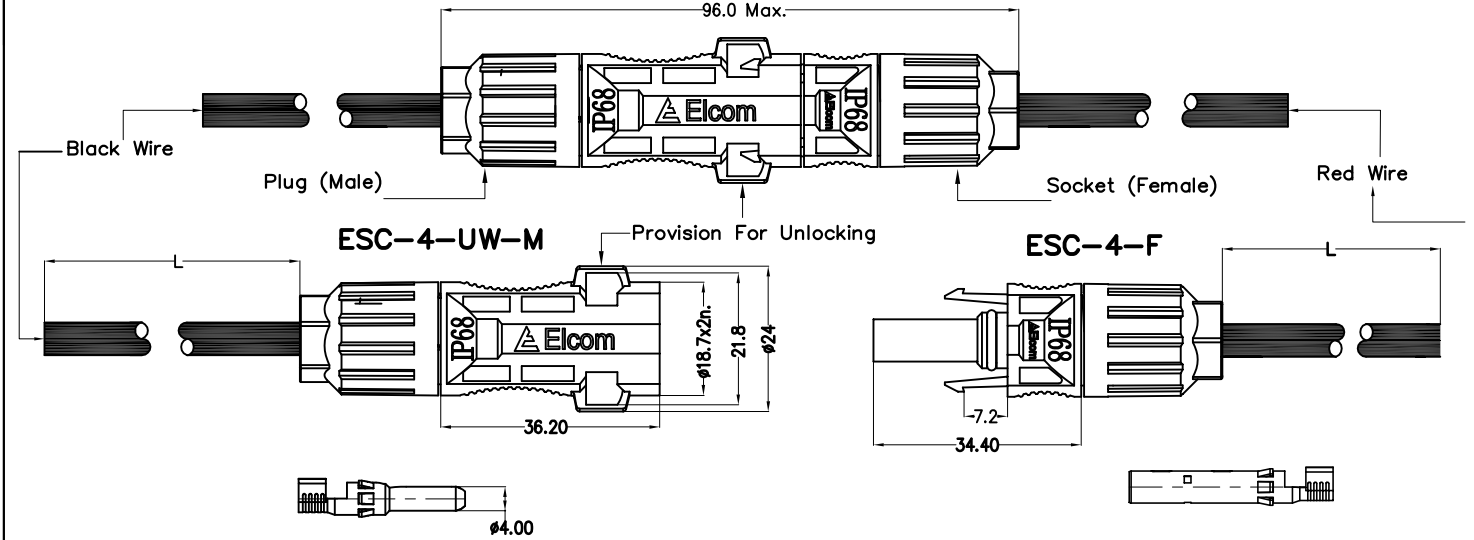
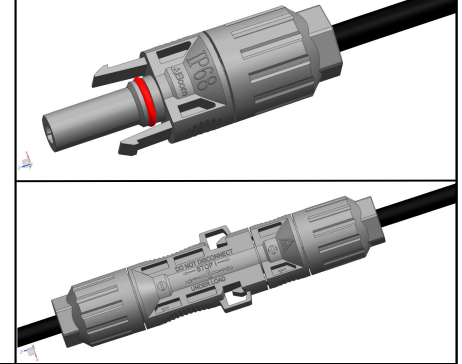


PRODUCT DATA SHEET



Solar PV Connector
 Pin dimensions:- $\phi 4.0\text{mm}$
 Suitable cable cross sections:-
 4mm^2 (20A), 6mm^2 (30A)
 IP-68 Grade



Ordering Code:-

Solar PV Connector	Wire Type	Wire Color	Wire Length(L)
ESC-4-UW-M	A 4 Sq.mm	03 Black	As per Customer Requirement
ESC-4-F	B 6 Sq.mm	04 Red	

Example:-

- Solar PV Connector without wire ESC-4-UW-M- or ESC-4-F
- Solar PV Connector with wire ESC-4-UW-M-A-03-1meter.

Description:-

UW:-Unlocking Window

Note:-

For 2.5sqmm wire crimping, Use Crimping tool of 4sqmm wire.

Specification Table

SR.NO	PARAMETER	SPECIFICATION
1	Type	$\phi 4\text{mm}$ PV Connector
2	Rated current	20A(4sqmm)&30A(6sqmm)
3	Rated voltage	1500V DC
4	Test voltage	8000V AC(1min)
5	Typical contact Resistance	$\leq 0.35\text{mOhms}$
6	Degree of protection (Mated)	IP68(IEC 60529)
7	Protection class	II
8	Flammability class	UL94V-0
9	Insulation material	PP0
10	Contact material	Copper/Copper Alloy, Silver plated
11	Temperature range	$-40^{\circ}\text{C} \sim +85^{\circ}\text{C}$
12	Upper limiting temperature	100 $^{\circ}\text{C}$
13	Cable size	2.5mm^2 , 4mm^2 & 6mm^2
14	Rated Impulse Voltage	10KV

SR.NO	PARAMETER	SPECIFICATION
15	Application Class	A
16	Pollution Degree	3
17	Over voltage category	Category III
18	Relative Humidity (%)	85% $\pm 5\%$
19	Pin dimensions	$\phi 4.0\text{mm}$
20	Stripping Length	8 TO 10 mm.
21	Insertion force (male Female hcg.)	$\leq 50\text{N}$
22	Withdrawal force (male Female hcg.)	$\geq 190\text{N}$
23	Sealing Material	Silicon Rubber
24	Minimum Creepage Distance	Contact to contact not applicable
25	Insulation Resistance	$> 1000\ \text{M}\Omega$
26	Reference Standard	IEC 62852:2014
27	Approval	TUV

PRODUCT : SOLAR PV CONNECTOR $\phi 4.0\text{mm}$							CODE : ESC-4-UW-X		
APP 30.03.16 GJG							Plot E-4, Kagal Five Star MIDC, Kagal, Kolhapur, MH - 416236, India Elcom International Pvt. Ltd.		
CHK									
2 IEC 62852:2014 EN-50521:2008 17.03.17 Vicky GJG							DRN 30.03.16 Sugar		
REV	IS	WAS	DATE	SIGN	APP.	BY	DATE	SIGN	
UNSP.TOLERANCE				DIMNS. IN	WT(Gm)	SCALE:-		PROJECTION	SHEET
OVER	-	1	10	mm	Max.	NTS.			
UP TO	1	10	-	Moulding, plating details as per Bill of Material					
\pm	0.2	0.3	0.5	Unspecified colour is Black, GF:Glass filled.					
DRAWING NUMBER									REVISION
P E S C 2 1 1 1									2