

PRODUCT DATA SHEET

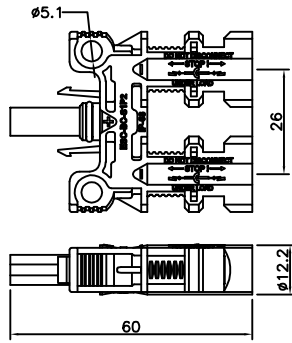
ESC-BC-S2P1-X

Solar 2 Way Branch Connector
Suitable For:-
Ø4.0mm PV Connector
IP-68 Grade

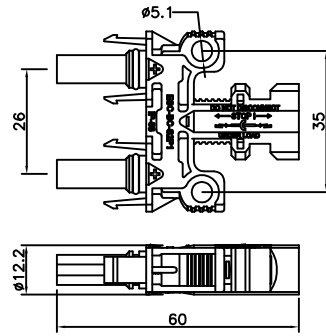
ESC-BC-S1P2-X

Basic Dimensions

ESC-BC-S1P2



ESC-BC-S2P1



Specification

SR.NO	PARAMETER	SPECIFICATION
1	Type	Ø4mm, 2 Way PV Branch Connector
2	Rated current	30A
3	Rated voltage	1500V DC
4	Test voltage	8000V AC(1min)
5	Typical contact Resistance	≤0.5mOhms
6	Degree of protection (Mated)	IP68(IEC 60529)
7	Protection class	II
8	Flammability class	UL94V-0
9	Insulation material	PP0
10	Contact material	Copper Alloy,Silver plated
11	Temperature range	-40°C~+85°C
12	Upper limiting Temperature	100°C
13	Suitable For	Ø4.0mm PV Connector (Cable size-4mm ² ,6mm ²)
14	Pin dimensions	Ø4.0mm
15	Reference Standard	IEC 62852:2014
16	Sealing Material	Silicon Rubber
17	Approvals	TUV

R6	IEC 62852:2014	EN-50521:2008	17.03.17	Vicky	GJG						
R5	Rated voltage 1500V DC Added		28.10.16	Vicky	GJG						
R4	TUV	TUV in process	15.09.16	Vicky	GJG						
R3	Added cable size		14.02.16	Jagar	GJG	PRODUCT :			CODE :		
	Added Upper limiting temp.					Ø4.0mm 2 WAY PV BRANCH CONNECTOR			ESC-BC-S1P2-X,ESC-BC-S2P1-X		
R2	30A	40A	03.11.15	PPD	GJG	APP	15.05.15	GJG	 Plot E-4, Kagal Five Star MIDC, Kagal, Kolhapur, MH - 416236, India		
	UL Approval Remove					CHK					
R1	ESC-BC-S1P2-X	ESC-BC-S1P2	20.10.15	PPD	GJG	DRN	15.05.15	Jagar			
REV	IS	WAS	DATE	SIGN	APP.	BY	DATE	SIGN	Elcom International Pvt. Ltd.		
UNSP.TOLERANCE			DIMNS. IN	WT(Gm)	SCALE:-	PROJECTION	SHEET	DRAWING NUMBER			
OVER	-	1	10		Max.		1 OF 2	P E S C 2 1 1 3			REVISION
UP TO	1	10	-	Moulding, plating details as per Bill of Material							R6
±	0.2	0.3	0.5	Unspecified colour is Black, GF:Glass filled.							