

MC 3 Connector

1. Water proof and dust proof
2. Simple, quick installation
3. compatible with MC3 solar connector
4. competitive price

Technical data:

Insulation material: PTR

Rated current: 30A

Rated voltage: 1000V

Test voltage: 8KV(50Hz, 1Min)

Contact material: copper, tin plated

Contact resistance: 5mΩ

Degree of protection: IP67

Safety class: II

Flame class: UL94-V0

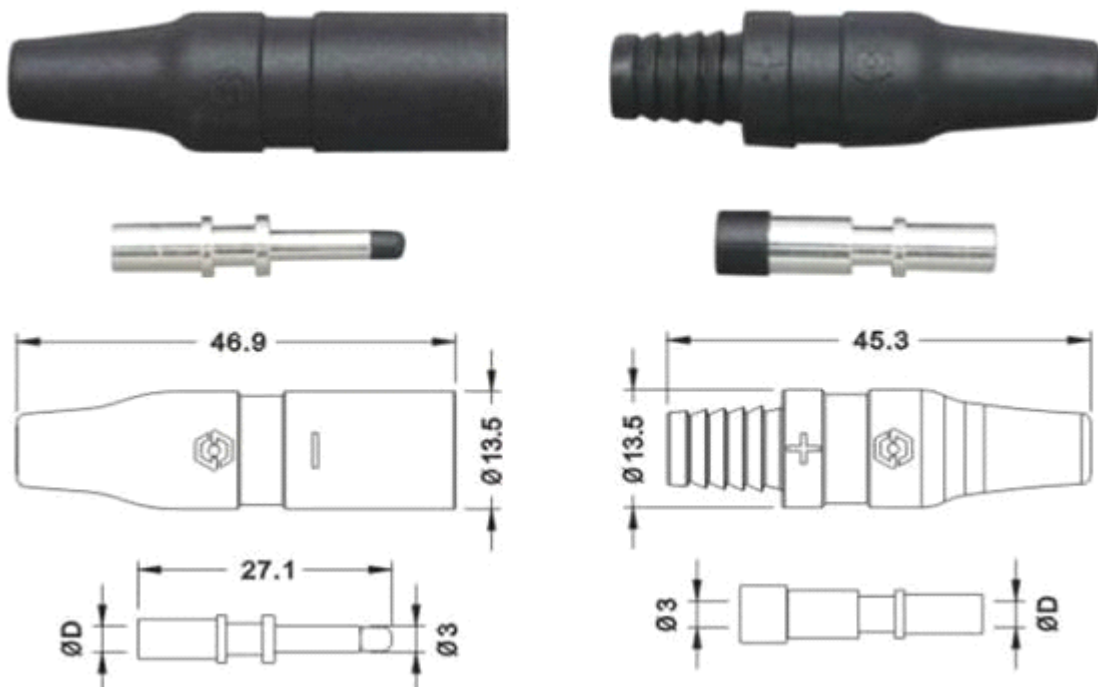
Ambient temperature range: -40°C ~ +90°C

Suitable cable: 2.5~6.0mm² AWG14/12/10

Pin dimensions: φ4.0mm² & 6mm²

Package:

1. 1000 pairs in a carton
2. carton dimension: 38cm*29cm*47cm
3. Net weight: 13kg
4. Gross weight: 14kg



WZ-47 BUDHELLA VILLAGE, VIKASPURI, NEW DELHI – 110018

PHONE: 011-28533349, MOB: 9810138894/9212558066, FAX: 011-28533349

EMAIL: info@rfconnector.in, WEBSITE: <http://rfconnector.in/>